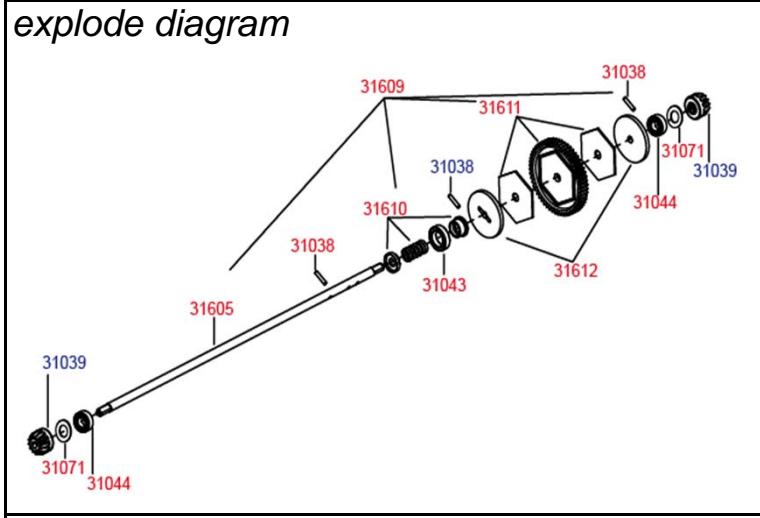


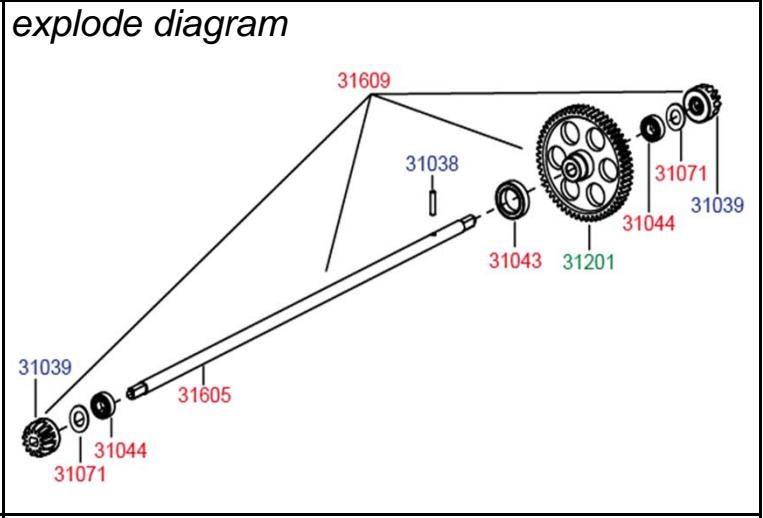
# E10MT/E10MTL/E10XT/E10XTL/E10BP/E10BPL/E10MT2/E10MTL2中心传动轴修改明细

## E10MT/E10MTL/E10XT/E10XTL E10BP/E10BPL/E10MT2 / E10MTL2 center shaft modification detail

### Before



### Now



### standard parts list

<b>31602</b>  Front Upper Susp Arm	<b>31603</b>  Front Lower Susp Arm	<b>31604</b>  Rear Lower Susp Arm	<b>31605</b>  Alum Center Driveshaft
<b>31606</b>  Dogbone (97.2mm)	<b>31607</b>  Steering Linkage	<b>31608</b>  Rear Upper Linkage	<b>31609</b>  Slipper Clutch Complete with Gear
<b>31610</b>  Spring Mount	<b>31611</b>  Main Gear 56T and Slipperpads	<b>31612</b>  Slipper Plates	<b>31613</b>  Wheels

### standard parts list

<b>31602</b>  Front Upper Susp Arm	<b>31603</b>  Front Lower Susp Arm	<b>31604</b>  Rear Lower Susp Arm	<b>31605</b>  Center Driveshaft
<b>31606</b>  Dogbone (97.2mm)	<b>31607</b>  Steering Linkage	<b>31608</b>  Rear Upper Linkage	<b>31609</b>  Center Driveshaft Complete with Gear
<b>31613</b>  Wheels	<b>11170</b>  Truck Only	<b>11171</b>  Truggy Only	<b>31201</b>  Main Gear 56T

### pictures



### pictures

