

TRIX TRUX™

ASSEMBLY & STUNT GUIDE

www.TrixTrux.com



 **WARNING:**
CHOKING HAZARD—Small parts.
Not for children under 3 years.

IMPORTANT SAFEGUARDS

WARNING

Prevent injuries! Carefully read all instructions before use!

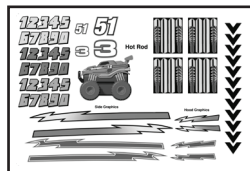
- Choking Hazard - Small Parts. Not for children under 3 years.
- Please use as directed.
- Adult assembly may be required.
- Please keep these instructions for future reference as they contain important information.
- The cords on this product present a potential strangulation hazard. To avoid strangulation and entanglement, keep cords out of reach of young children. Cords may become wrapped around a child's neck.

IMPORTANT SAFEGUARDS	2
Components	4
Battery Installation and Vehicle Operation	6
Stunt Ramp Assembly	8
Connecting Track	9
Monster Ramp Stunt	10
Tidal Wave Stunt	12
Rumble Road/Cliffhanger Stunt	14
Double Stunt Super Challenge	16
Aerial Stunt	18
Labeling	22

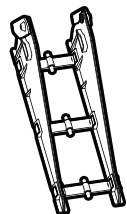
Components



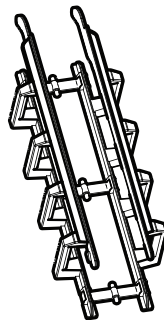
**MOTORIZED
VEHICLE (x1)**



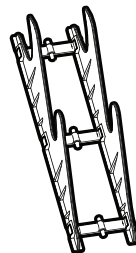
**DECAL
SHEET (x1)**



**MONSTER RAMP
STUNT (x1)**
Side Rails (x2),
Rail Connectors (x3)

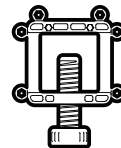


**RUMBLE ROAD/
CLIFFHANGER STUNT (x1)**
Side Rails (x2),
Rail Connectors (x3)



**TIDAL WAVE
STUNT (x1)**
Side Rails (x2),
Rail Connectors (x3)

ASSEMBLY REQUIRED



**AERIAL
CLAMP (x1)**



**AERIAL LINE
HOLDER (x1)**



**STUNT-TO-STUNT
CONNECTOR (x2)**

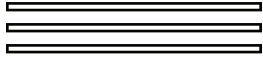


**FLIP
TAB (x1)**

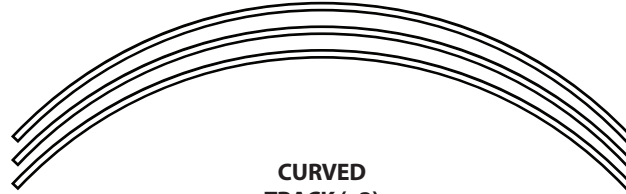


**AERIAL-TO-TRACK
CONNECTOR (x1)**

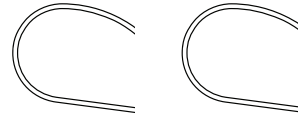
NOTE: Not to scale.



**STRAIGHT
TRACK (x3)**



**CURVED
TRACK (x3)**



**C-CURVE
TRACK (x2)**

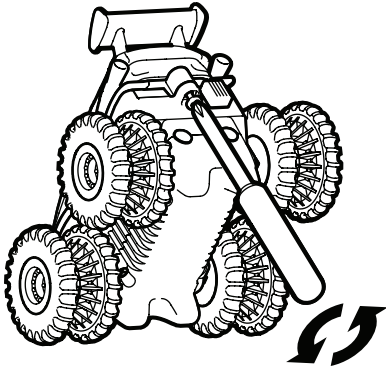


**TRACK-TO-TRACK
CONNECTOR (x6)**

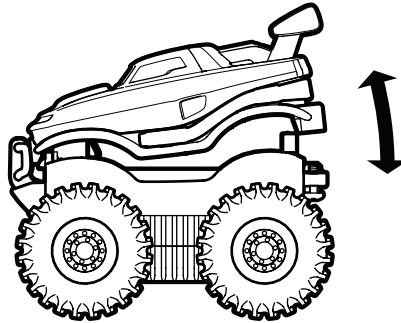


**AERIAL
LINE (x2)**

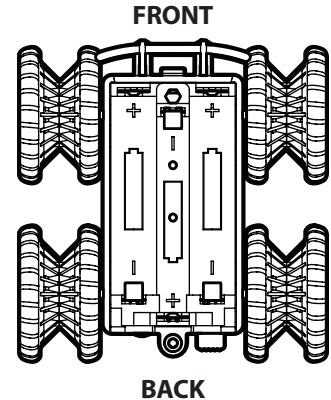
Battery Installation and Vehicle Operation



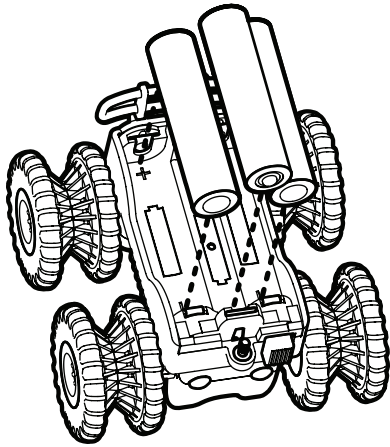
- Loosen screw on the back of the vehicle with a Phillips-head screw driver by turning counter clockwise.



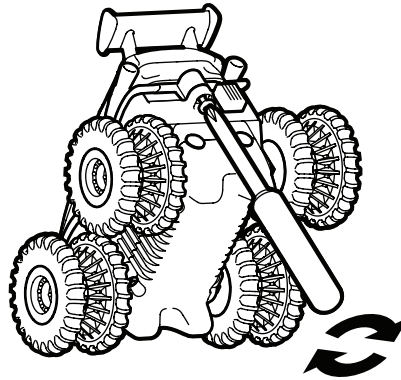
- Lift vehicle body from chassis as shown and unhook from the latch on the front of the vehicle.



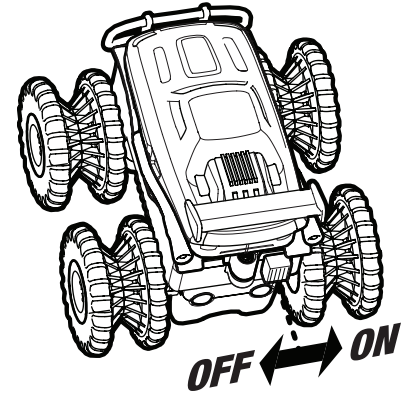
- Note the markings that show the battery orientation.



- Insert 3 AAA batteries as shown.

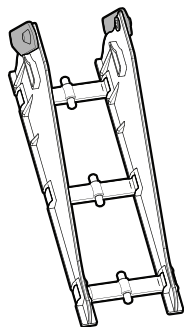
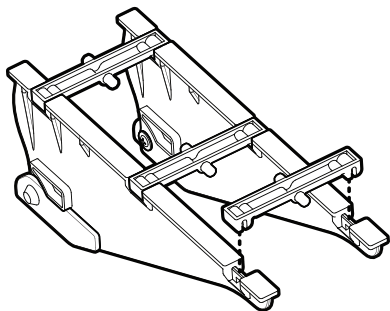


- Replace vehicle body and tighten the screw by turning screwdriver clockwise.

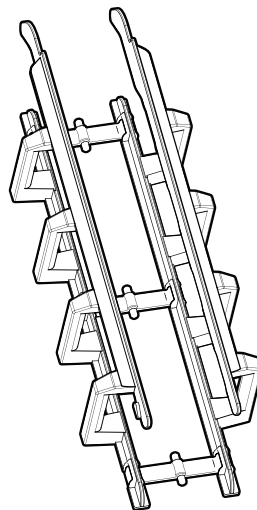


- Slide button on the back of the vehicle right to turn the vehicle on, and slide it left to turn the vehicle off.

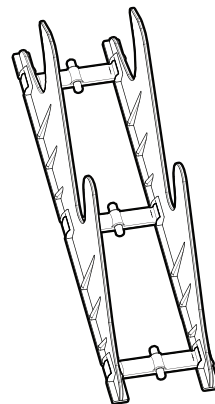
Stunt Ramp Assembly



MONSTER RAMP



**RUMBLE ROAD/
CLIFFHANGER**



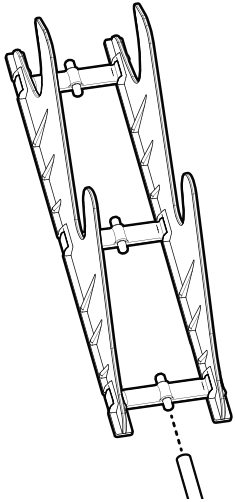
TIDAL WAVE

-
- For each of the three stunt ramps, snap in three rail connectors of matching color.

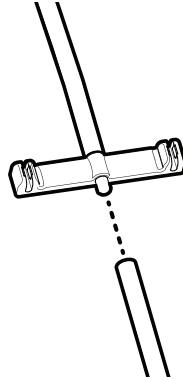
-
- Correctly assembled stunt ramps should look as shown.

For the Monster Ramp stunt, levers should be to the outside of rails.

Connecting Track

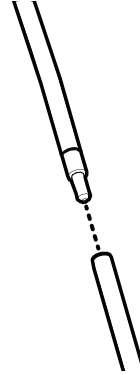


-
- Connect track to stunts by plugging the track onto the pegs on the rail connectors.



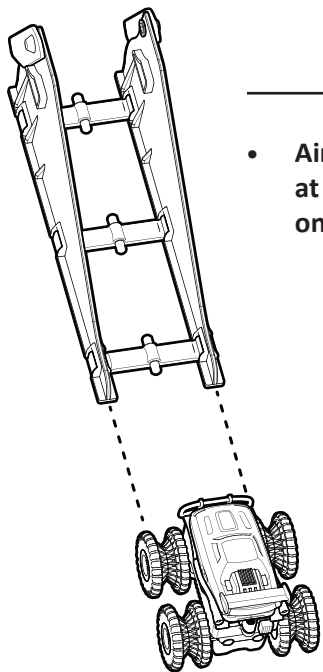
-
- Connect two pieces of track together by plugging the track onto both ends of a rail connector.

OR



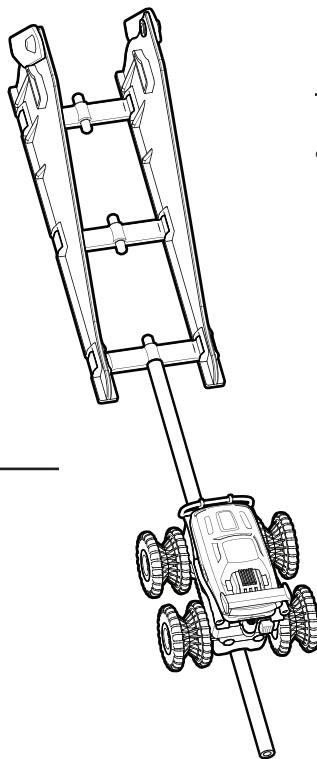
-
- Connect two pieces of track together by plugging the track onto both ends of a track-to-track connector.

Monster Ramp Stunt

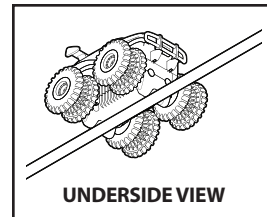


- Aim V grooves of tires at the side rails on the stunt.

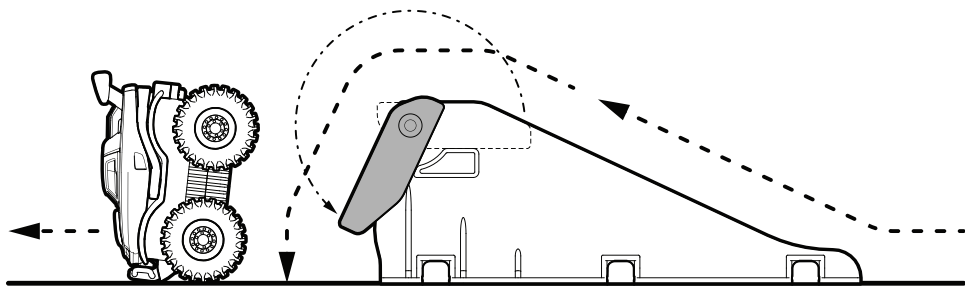
OR



- Attach track to stunt and place vehicle on track to guide vehicle to the stunt.

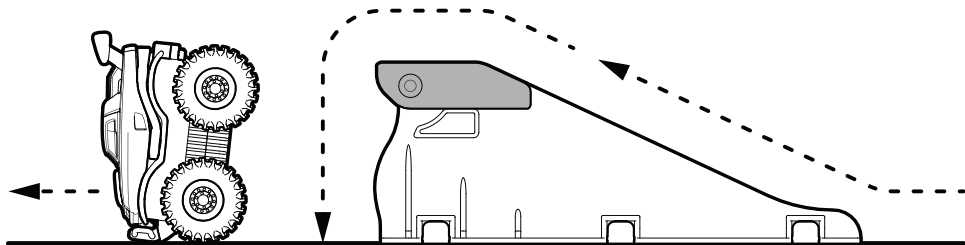


Place vehicle on track with the track between the front and rear guides on the bottom of the vehicle.



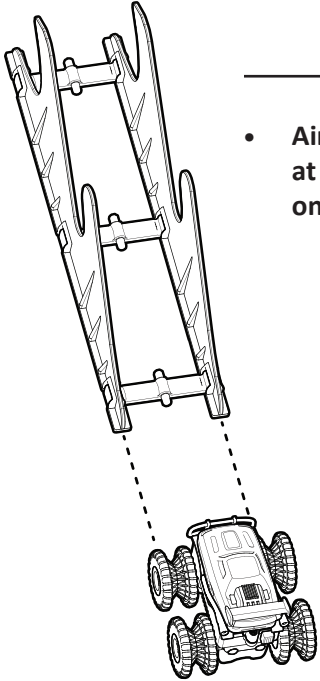
- Flip levers down as shown for easy noseplant stunt.

————— **OR** —————



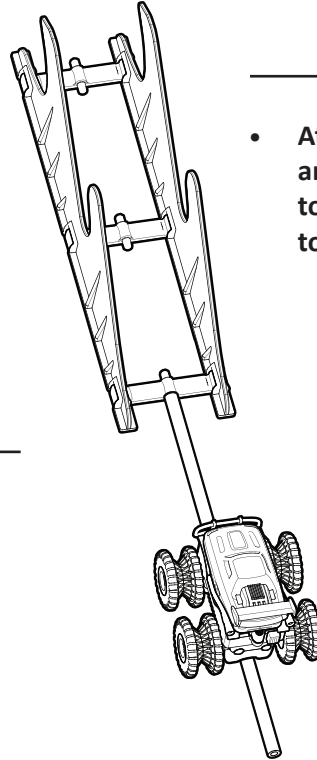
- Challenge mode: flip levers up as shown for difficult noseplant stunt.

Tidal Wave Stunt

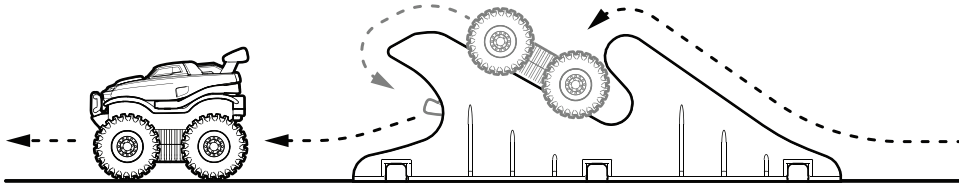


-
- Aim V grooves of tires at the side rails at the side rails on the stunt.

OR

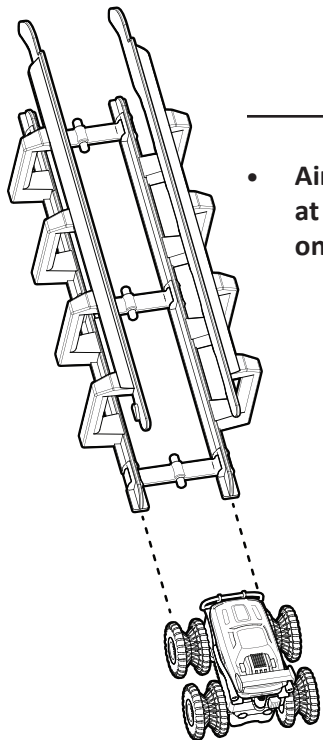


-
- Attach track to stunt and place vehicle on track to guide vehicle to the stunt.



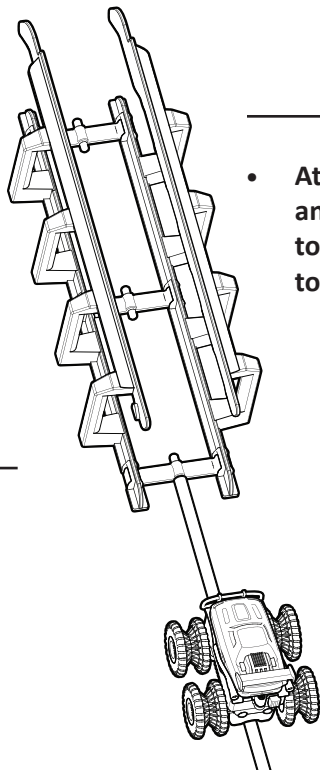
- Watch it surf the wave.

Rumble Road/Cliffhanger Stunt

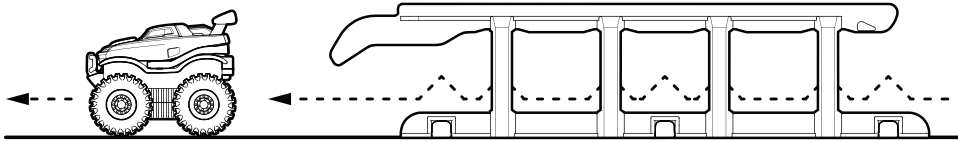


-
- Aim V grooves of tires at the side rails on the stunt.

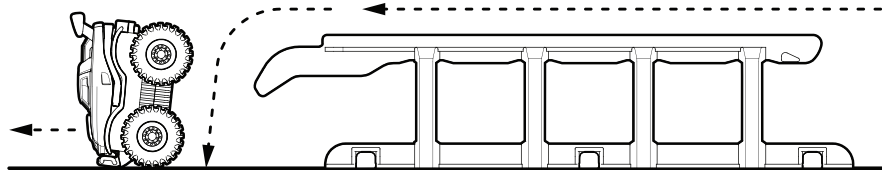
OR



-
- Attach track to stunt and place vehicle on track to guide vehicle to the stunt.

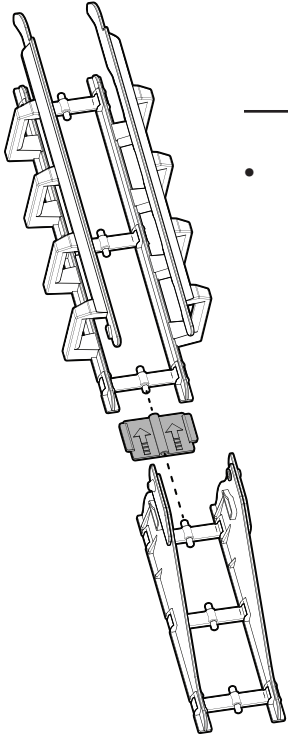


- Run vehicle through lower level for rumble road challenge.



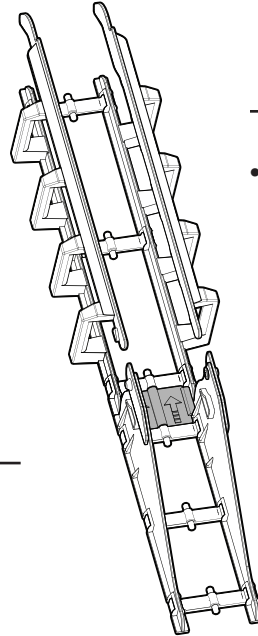
- Place vehicle on top level for cliff hanger challenge. Can you get it to noseplant?

Double Stunt Super Challenge

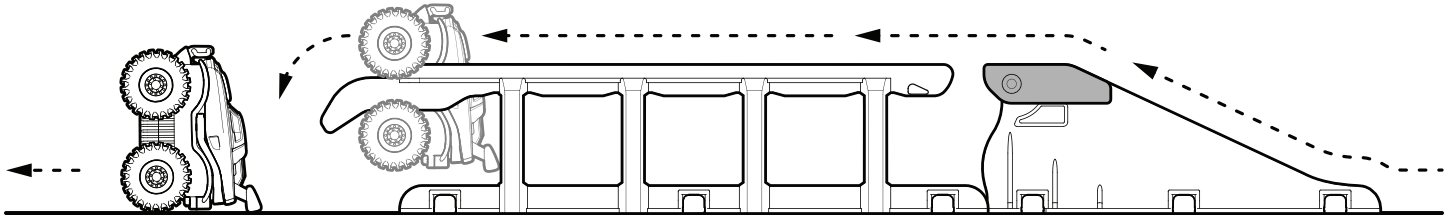


-
- Use special stunt-to-stunt connector to attach monster ramp stunt to Rumble Road/Cliffhanger stunt.

OR

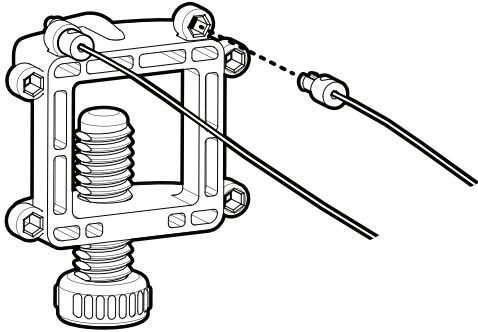


-
- Correctly connected stunts should look as shown.

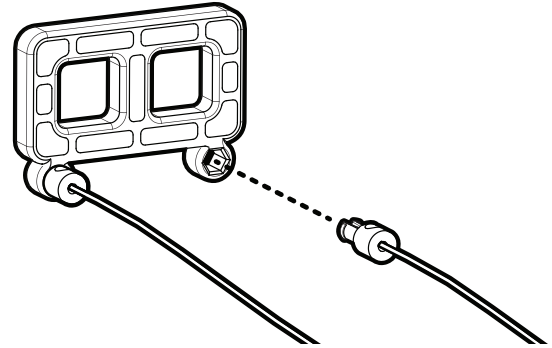


- **Flip levers on Monster Ramp up as shown to activate hanging Cliffhanger challenge.**

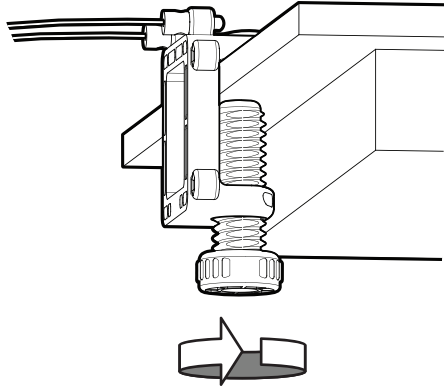
Aerial Stunt



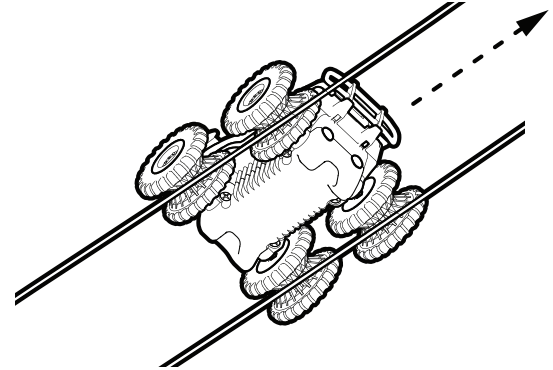
-
- Snap the connector on the two lines into the aerial clamp as shown.



-
- Snap the other ends of the two lines into the line holder as shown.

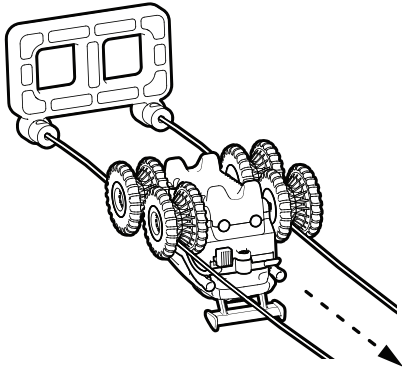


-
- Place aerial clamp on the edge of a table or shelf and turn the screw clockwise to secure it tight. Turn screw counterclockwise to loosen it.

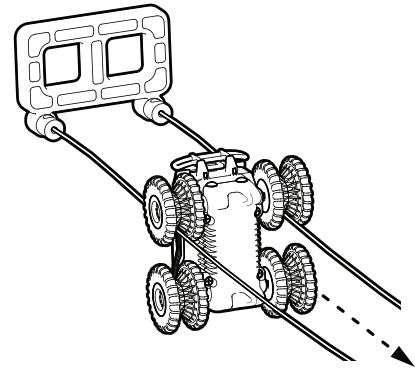


-
- Place the V grooves of the tires on top of the lines as shown for high-wire action.

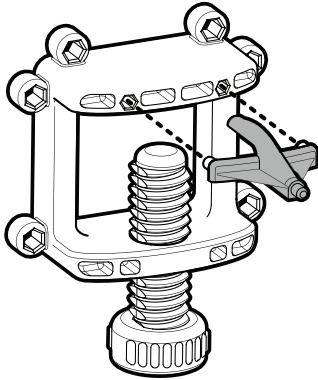
Aerial Stunt



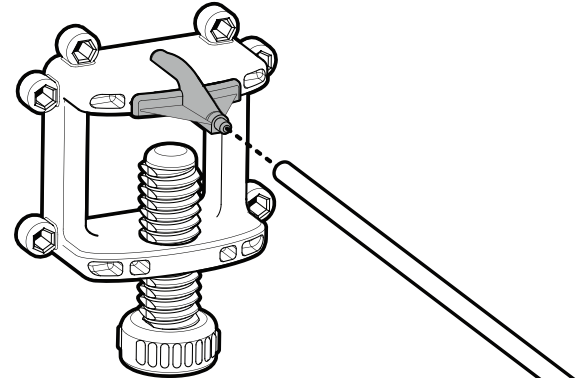
-
- Hang the vehicle upside down with the V grooves of the tires on top of the lines as shown for inverted flipped-out action.



-
- Place the V grooves of the front two tires on top of the lines as shown for hanging high-wire action.



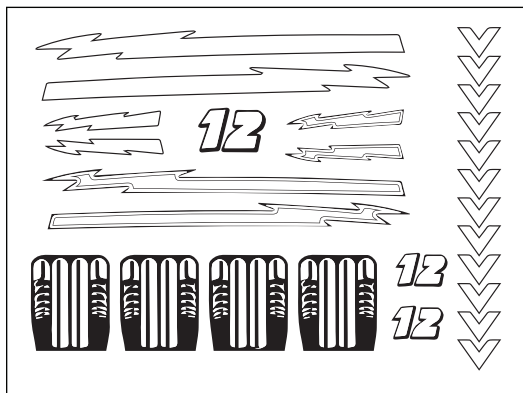
-
- Add special aerial clamp-to-track connector by plugging the pins on the connector into the holes on the clamp as shown.



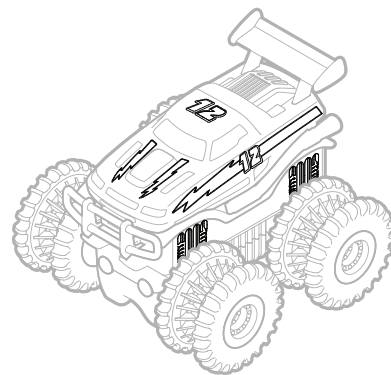
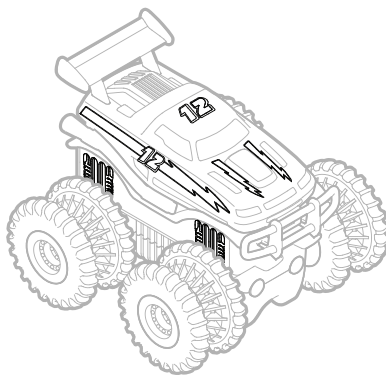
-
- Plug track onto peg on the connector to go from Aerial stunts to ground action.

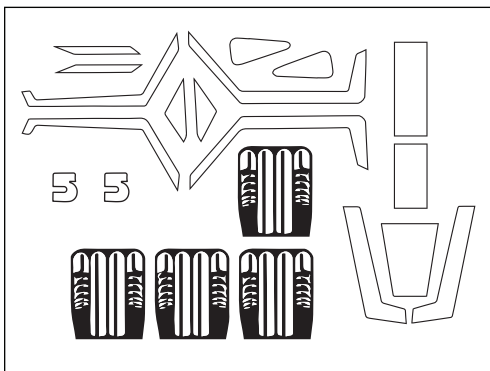
Labeling

Locate the diagram of the vehicle and label sheet included with this set.
Peel off labels from sheet and apply them as shown.

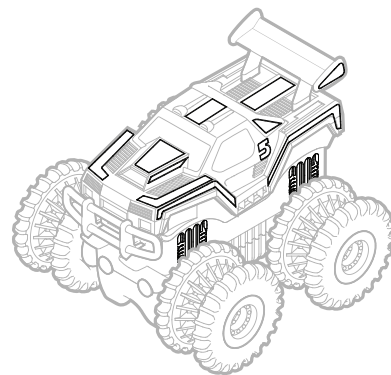
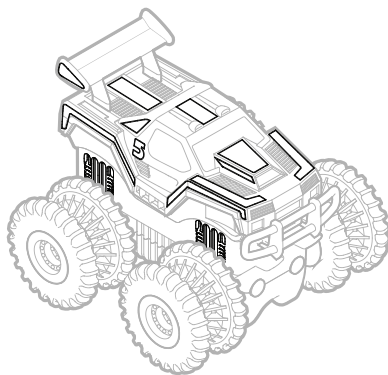


Hot Rod



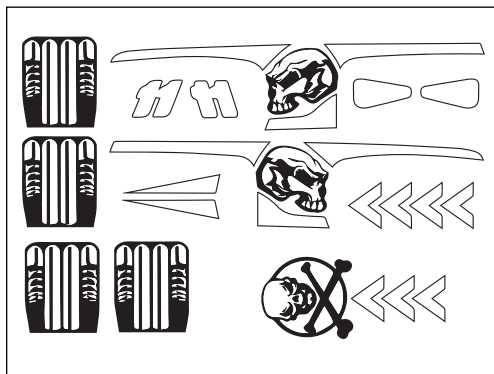


Special Ops

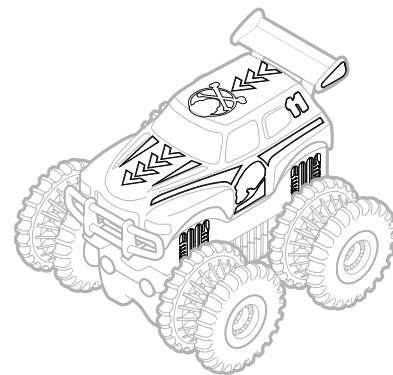
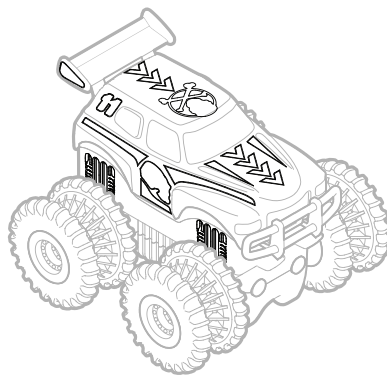


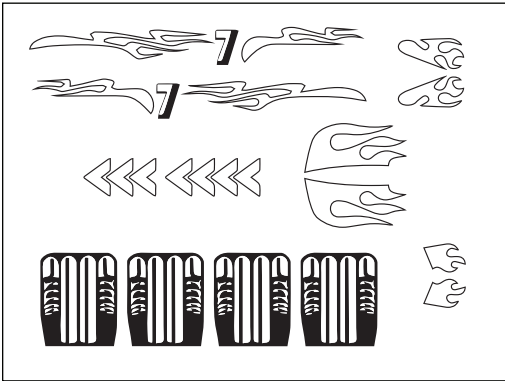
Labeling

Locate the diagram of the vehicle and label sheet included with this set. Peel off labels from sheet and apply them as shown.

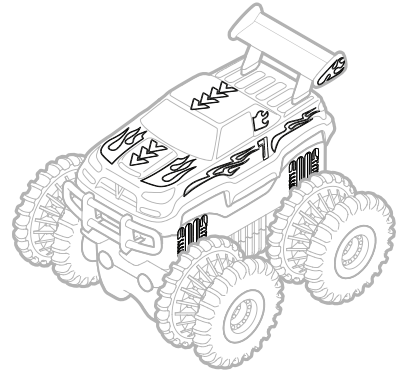
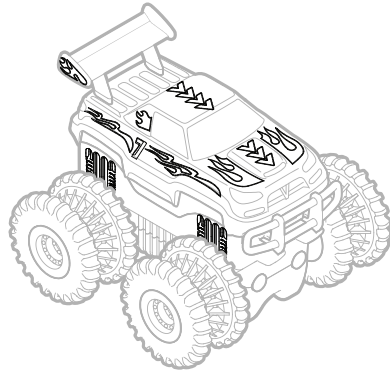


Van

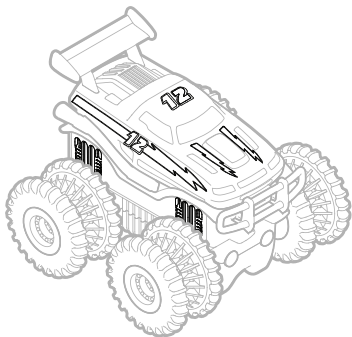




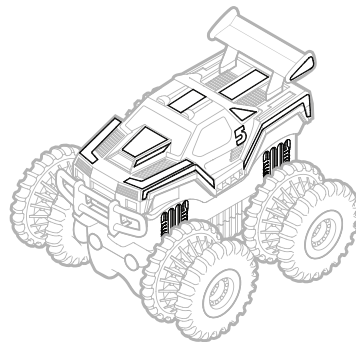
Monster Truck



**Hot
Rod**

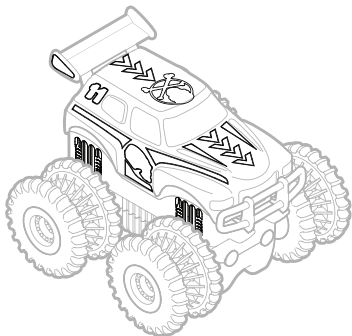


**Special
Ops**

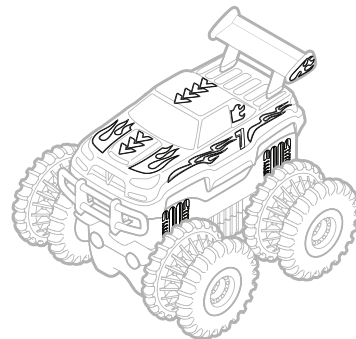


**COLLECT
THEM ALL!**

Van



**Monster
Truck**



The logo features the words "TRIX" and "TRUX" stacked vertically. Both words are rendered in a bold, italicized, sans-serif font with a thick white outline and a grey fill. The text is centered within a large, irregular black splatter that has a textured, ink-like appearance with various sized droplets and blotches extending outwards. The background is plain white.

TRIX
TRUX™



Distributed by:
Tristar Products, Inc.
Fairfield, NJ 07004
© 2017 Tristar Products, Inc.
Patent Pending
Made in China
TTX_Stunt_Guide_Web_V1