

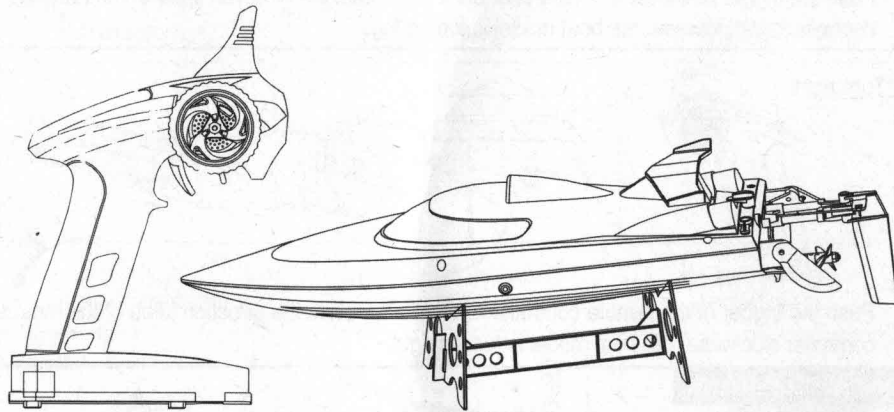
AGE 14+

# FT012 BOAT

## HIGH SPEED RACING BOAT



Please read this instructions carefully before your operation.  
Please note that the actual product may slightly different with pictures,  
please in kind prevail.

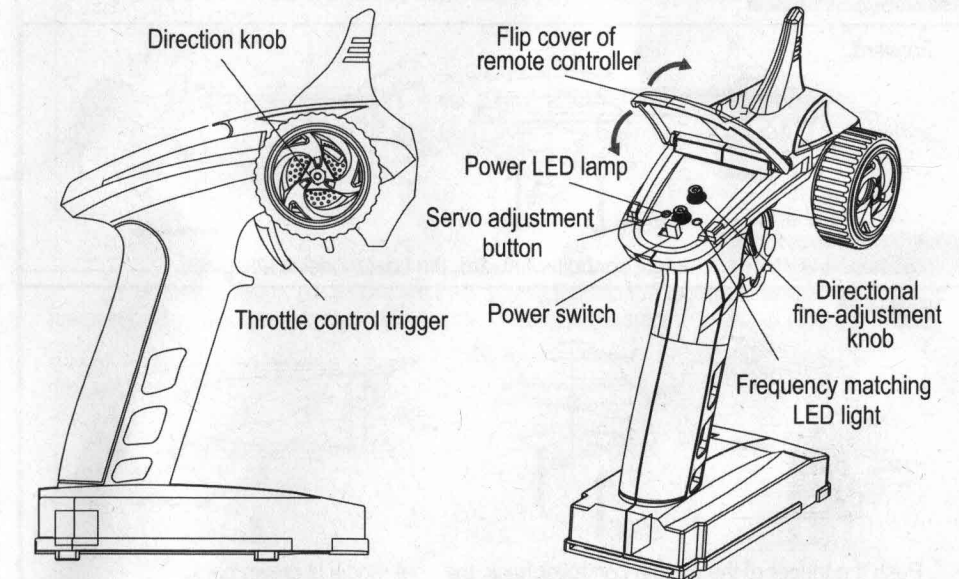
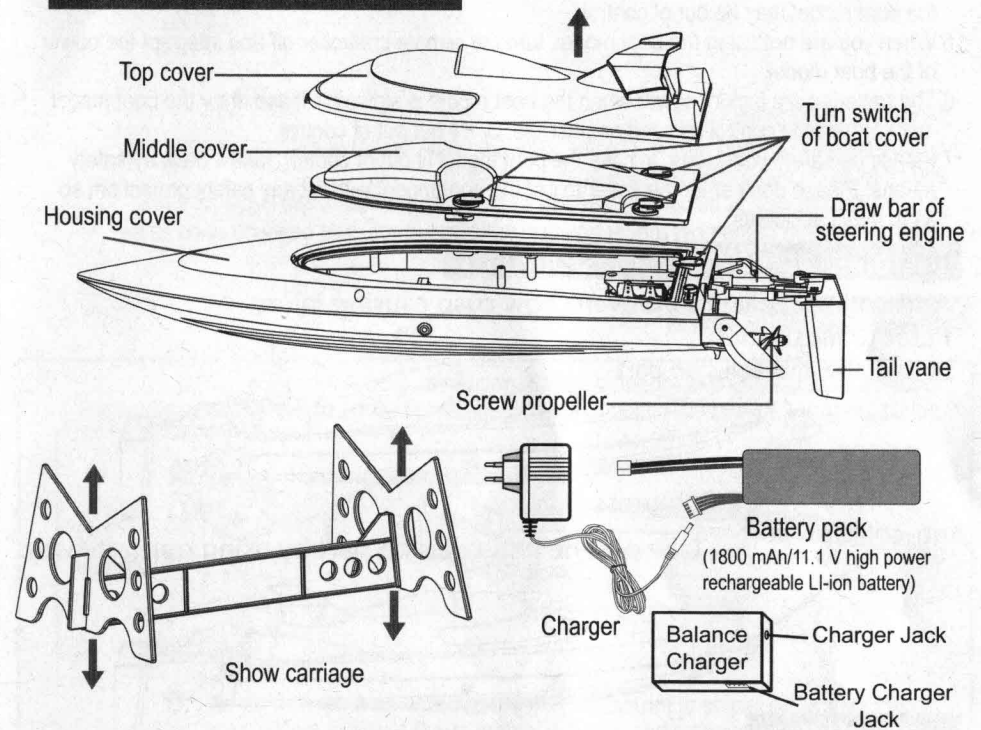


### Operating Instructions for 2.4 G Wireless Remote Control Boat Model

Please read the instruction manual carefully before operating.  
Packaging description of the picture may be different in kind, please prevail in kind.

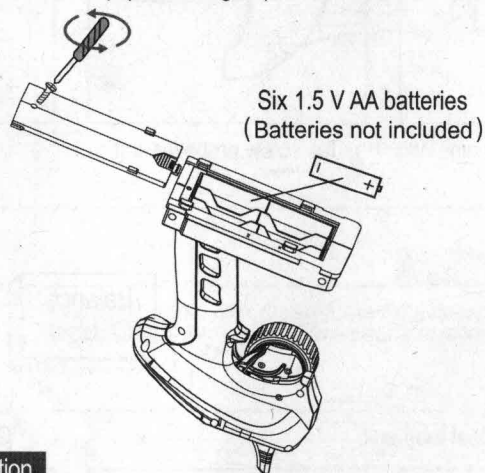
1. The product use high power brushless motor as the drive system and adopt the high precise servo to control the steering system, with water-cooling motor system.
2. Configure high-capacity, high-rate lithium rechargeable battery Cherry, powerful, a top speed of about 45 km / h.
3. Specifications of boat body:  
Length of boat body: 467mm  
Width of boat body: 127mm  
Height of boat body: 128mm

#### Main Structures of Remote Control Boat



### Methods for Installing Batteries of Remote Controller

**Batteries:** open the battery cover of the remote controller; put six 1.5 V AA batteries into the battery cover according to positive and negative electrodes; close the battery cover; and tighten the screws up (see the figure).

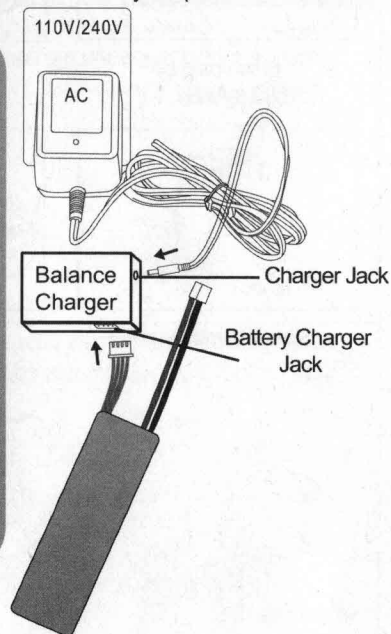


### Battery charging instruction

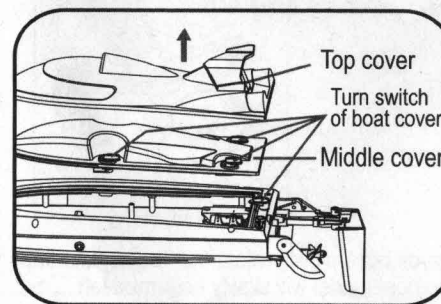
Connect the battery with balance charger and charger, and then plug the charger into a power outlet. When the balance charger red light lit up, it means that it is charging, charging time is about 3-4 hours. Please don't go away until the red light off. After charging, the surface of the battery may be a little bit damp and hot. Please turn off the power and remove the battery to spare.

### Precautions for the Battery and voltage changer

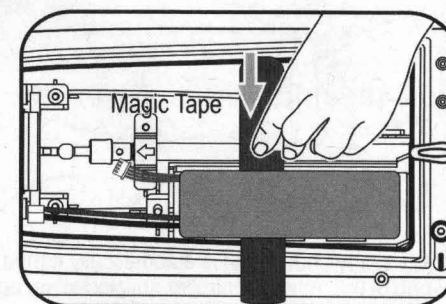
- 1) Install 1.5V AA battery x 6 to the remote controller, 11.1V/1800mAh rechargeable battery pack to boat model.
- 2) Put the battery in and take it out according to the figure.
- 3) Non-rechargeable battery cannot be charged.
- 4) Do not mix batteries with different types or old and new ones.
- 5) Exhausted battery must be taken out of the toy.
- 6) No short circuit of power-line connection is permitted.
- 7) Please only use the recommended voltage changer for the model.
- 8) The voltage changer is not a model.
- 9) Please cut off connection of voltage changer before using liquid to clean the model.
- 10) Check the voltage changer regularly to find out whether something breakdown for the wire, plug, shell or another parts, stop using the voltage changer if something breakdown until it is well repaired.
- 11) Do not connect to power which is not recommended.
- 12) The electric wire without attended mode cannot be connected to the plug.



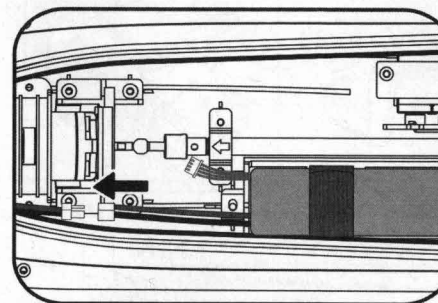
### Methods for Installing Batteries of Boat Model



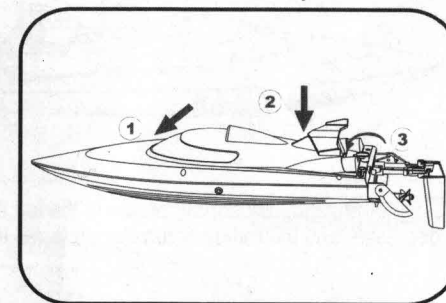
1. Twist boat cover switch, remove the two boat cover.



2. Put Li-ion batteries in the battery holder of the boat body.



3. The battery connector circuit board plug.



4. Plug the boat cover into the boat body; close the cover; and press the boat cover switch to fasten the boat body.

### Pairing frequency remote control ship model

Please put the boat on the surface of water. When the small holes of the boat induce the pressure from water, the motor is on quickly. At the same time, turn on the controller, The red light is on and the green one is flashing. When the green light stops flashing, it means the frequency has matched and you can enjoy the funny playing.

### Safety Warning

This model can work immediately when the power supply is connected. For security please take care and avoid the propellers hit people around you. Please don't touch the propellers to avoid injury. Please notice that this model only can use in water, not on land. In operation, please gently adjust the transmitter till the tail vane and the boat body are linear, so that the boat body can be used safely.

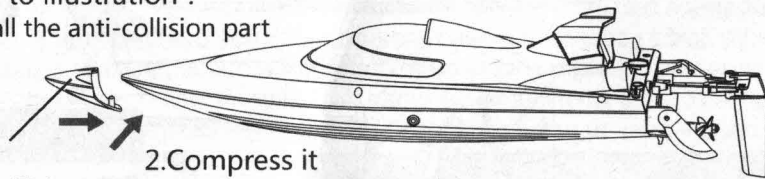
1. This product is applicable to persons above 14 years old. Others using the boat model must be supervised and instructed by an adult.
2. Make sure there are not people swimming in the water so as to avoid injury.
3. Observe whether there are foreign bodies in the water so as to ensure smooth operation of boat model.

4. Please do not go beyond the effective remote control distance that is about 150 m, otherwise the boat model may be out of control.
5. When you are not using the boat model, turn the remote controller off and interrupt the power of the boat model.
6. The batteries are lack of power when the boat model is slowed. Please draw the boat model back by remote control as soon as possible, or it'll get out of control.
7. Please be safety-conscious. In case the boat model is out of control, take it back by safety means. Please don't enter the water to get the boat model without any safety protection, so as to avoid accidents.

### Installation of anti-collision part

Anti-collision part can prevent bow cusp causing injury.  
Refer to illustration :

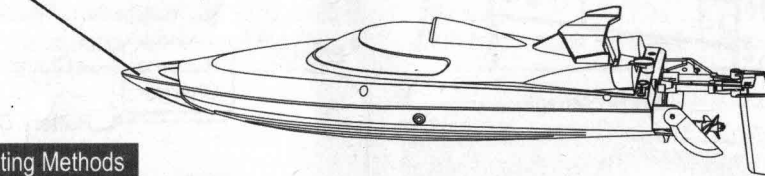
1. Install the anti-collision part



2. Compress it

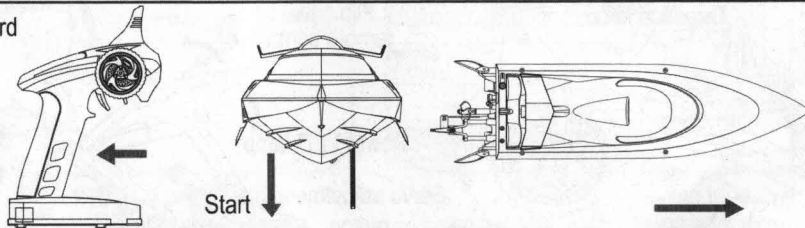
Anti-collision part

Take out the anti-collision part by using opposite way.



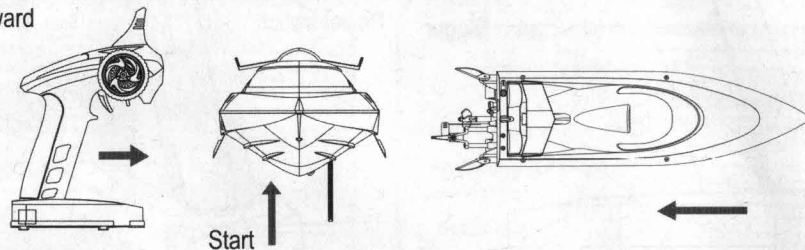
### Operating Methods

Forward



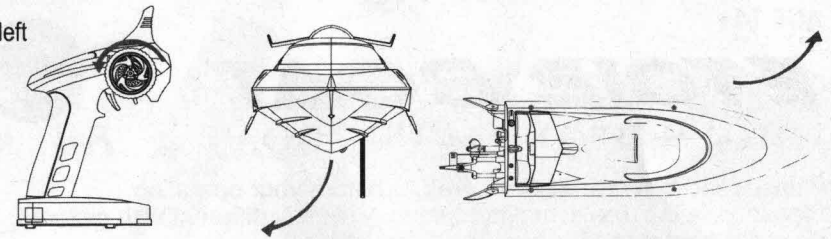
Push the trigger of the remote controller forward, the boat model is advanced.

Backward



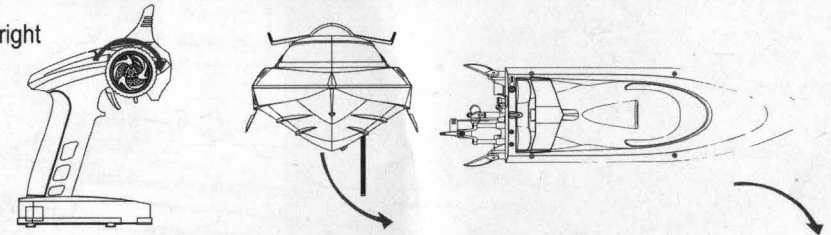
Push the trigger of the remote controller back, the boat model is drawn back.

Turn left



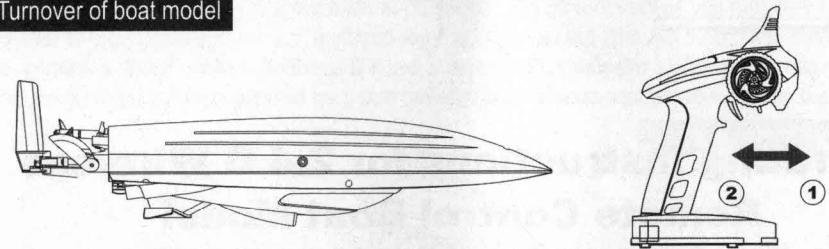
Push the trigger of the remote controller back and rotate the direction knob of the remote controller anticlockwise, the boat model is turned left.

Turn right



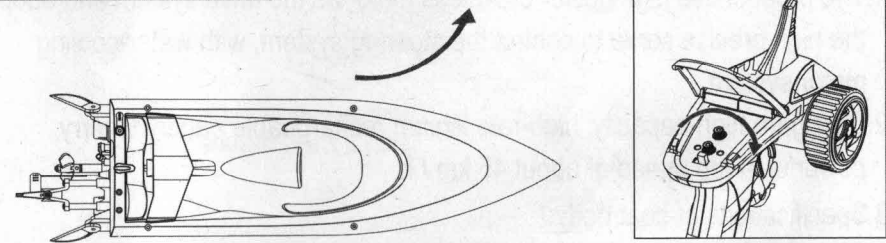
Push the trigger of the remote controller forward and rotate the direction knob of the remote controller clockwise, the boat model is turned right.

### Turnover of boat model



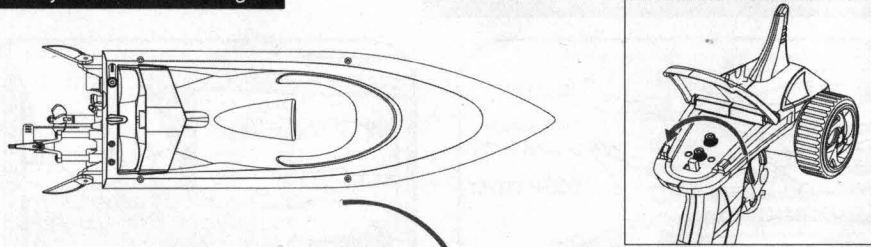
In case the boat model is turned over in the water, 1. Push forward the trigger first, 2. and then further deduction immediately to make the ship model sail normally.

### Fine adjustment towards left



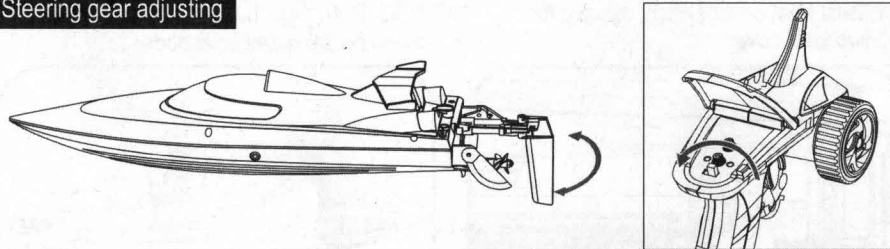
In case the boat model is automatically turned towards left, slowly rotate the fine adjustment knob of the remote controller clockwise, and the boat model will slowly be turned right.

### Fine adjustment towards right

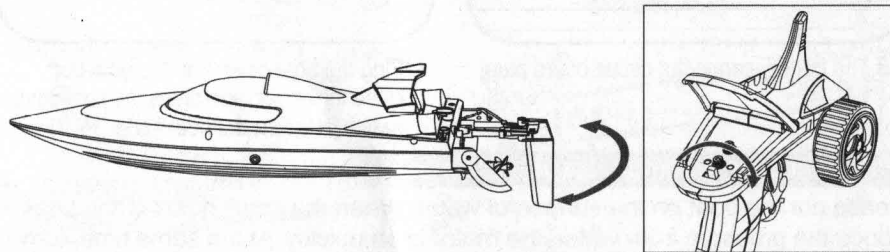


In case the boat model is automatically turned towards right, slowly rotate the fine adjustment knob of the remote controller anticlockwise, and the boat model will slowly be turned left.

### Steering gear adjusting



Adjust the servo adjustment button to the left, the swing scope of the direction servo will decrease, and the radius of turning circle will increase.

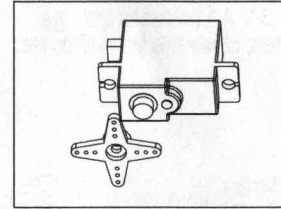


adjust the servo adjustment button to the right, the swing scope of the direction servo will increase, and the radius of turning circle will decrease.

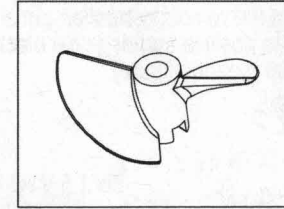
### Maintenance and Inspection

1. Take batteries out, and the boat model is stopped.
2. Keep the surface of the boat model from the exposure of sun and pollution of oil so as to avoid the removal of paint. After use, clean it and suck water in the cabin by a dry soft cloth, and keep the body of the boat model clean.
3. When you are not using the boat model, take the batteries out of the remote controller so as to prevent battery leak.

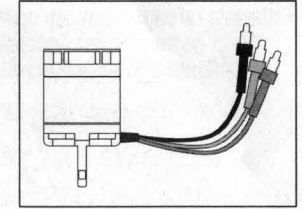
### Spare Parts



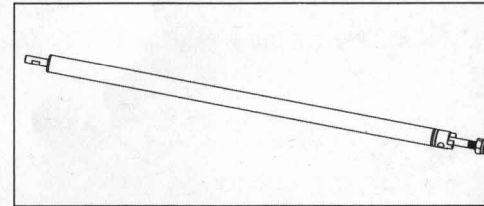
Electronic steering engine unit



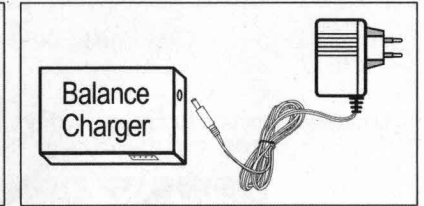
Tail screw propeller unit



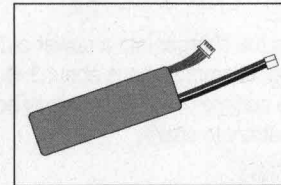
Brushless motor



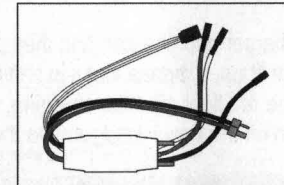
Steel tube unit



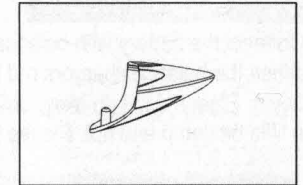
Charger



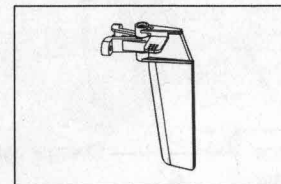
Li-ion battery  
1800 mAh/11.1 V



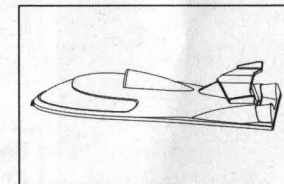
3 in 1 electronic  
Aspeed controller



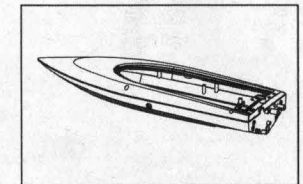
Anti-collision part



Steering engine unit



Boat cover unit



Boat bottom unit