

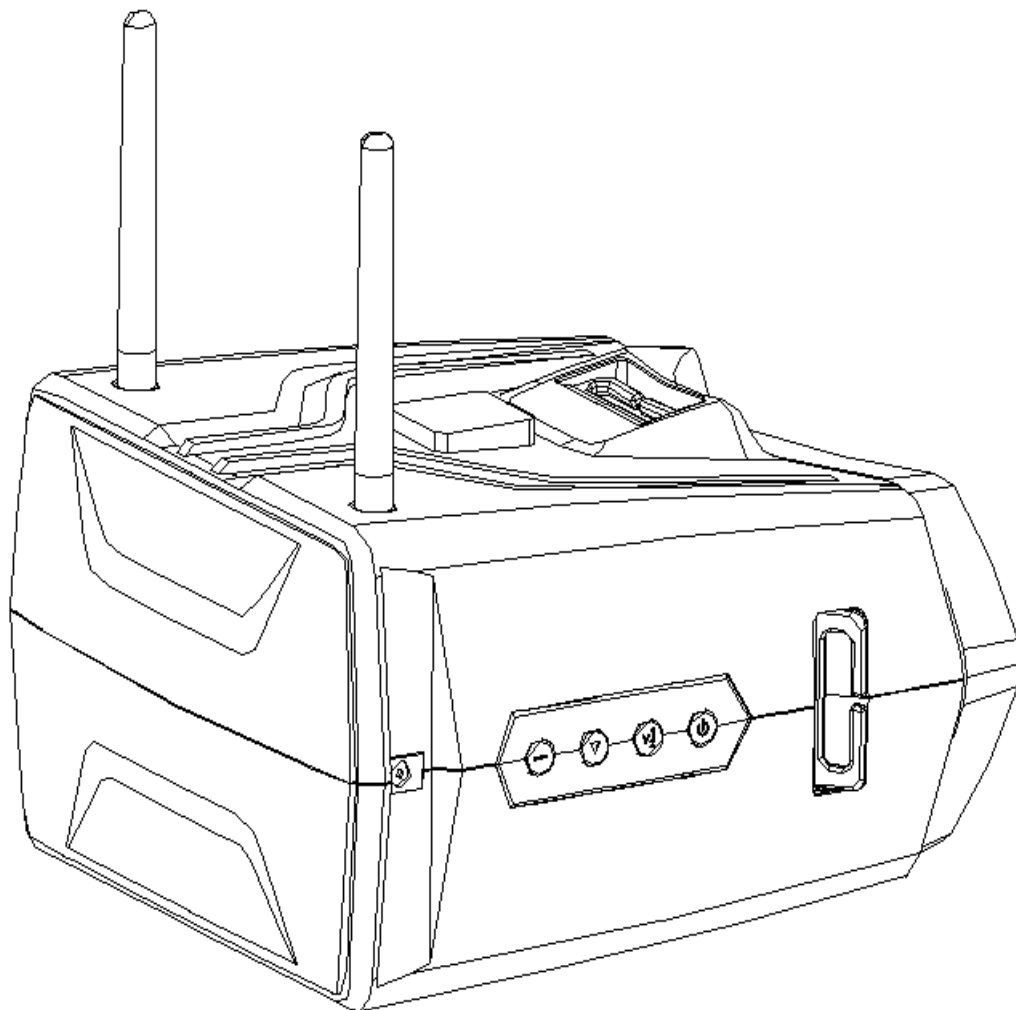
# Hiee

## Manual

7" LCD HD video-goggle with 5,8 GHz diversity receiver

---

HIVR 702



EN

CE

---

<b>Index</b>	
<b>Introduction .....</b>	<b>3</b>
<b>Service Centre .....</b>	<b>3</b>
<b>Intended use .....</b>	<b>4</b>
<b>Package content .....</b>	<b>4</b>
<b>Symbols explication.....</b>	<b>5</b>
<b>Safety notes .....</b>	<b>5</b>
<b>Charge the Lithium battery .....</b>	<b>6</b>
<b>Control panel.....</b>	<b>7</b>
<b>Bottom .....</b>	<b>8</b>
<b>Commissioning.....</b>	<b>8</b>
<b>Screen symbols / Setting menu.....</b>	<b>9</b>
<b>Technical Data .....</b>	<b>10</b>
<b>Battery warranty .....</b>	<b>10</b>
<b>Declaration of conformity.....</b>	<b>10</b>
<b>Notes on environmental protection.....</b>	<b>11</b>
<b>Care and maintenance.....</b>	<b>11</b>
<b>Warranty .....</b>	<b>11</b>

---

## Introduction

Thank you very much for purchasing the **7" (inch) Monitor Goggle**. This **7" Monitor Goggle** is extremely versatile. Read this manual carefully to achieve the best results with your **7" Monitor Goggle** and first of all to safely control your models. If you experience any trouble during operation, take the instructions to help or ask your dealer or **Graupner** Service Centre.

Due to technical changes, the information may be changed in this manual without prior notice. Keep updated by regularly checking our own website, **www.graupner.de** to be always updated with the products and firmware.

This product complies with national and European legal requirements.

**To maintain this condition and to ensure safe operation, you must read and follow this user manual and the safety notes before using the product!**



### NOTICE

This manual is part of that product. It contains important information concerning operation and handling. Keep these instructions for future reference and give it to third person in case you gave the product.


---

## Service Centre

### Graupner Central Service

Graupner/SJ GmbH  
Henriettenstrasse 96  
D-73230 Kirchheim / Teck

### Servicehotline

 (+49) (0)7021/722-130  
Monday- Thursday  
9:15 am- 4:00 pm  
Friday  
9:15 am- 1:00 pm

### **Service USA and Asia**

www.fpvhiee.com  
Email : info@fpvhiee.com

### **Graupner in Internet**

For the service centers outside Germany please refer to our web site **www.graupner.de**

---

## Intended use

The **7" Monitor Goggle** is suitable to reproduce images from FPV cameras signal or to playback videos or images from external sources. The integrated 5,8 GHz receiver receives the video signal sent by the FPV transmitters installed in the model. For any improper use no warranty or liability is accepted.

Read through this entire manual before you attempt to install or use the **7" Monitor Goggle**.

**Graupner/SJ** constantly works on the development of all products; we reserve the right to change the item, its technology and equipment.

### Target group

The product is not a toy. It is not suitable for children under 14 years. The operation of the **7" Monitor Goggle** must be performed by experienced users. If you do not have sufficient knowledge about dealing with radio-controlled models, please contact an experienced users or a dealer.

---

## Package content

- ◆ **7" Diversity Monitor Goggle incl. Lithium battery**
- ◆ **2x 5.8GHz receiver antennas**
- ◆ **2x AV out cable**

---

## Symbols explication

Always follow the information marked with the **CAUTION** or **WARNING** symbol. The signal word **WARNING** indicates the potential for serious injury, the signal word **CAUTION** indicates possibility of lighter injuries.



The signal words **NOTE** and **CAUTION** indicate potential damages to objects.

---

## Safety notes



### General

These safety instructions are intended not only to protect the product, but also for your own and other people's safety. Therefore please read this section very carefully before using the product!

- ◆ Persons, including children, with reduced physical, sensory or mental capabilities, or lack of experience or knowledge, or not capable to use safely the **7" Monitor Goggle** must not use the **7" Monitor Goggle** without supervision or instruction by a responsible person.
- ◆ Changes and modification on the module are not allowed because of safety and conformity (CE) reasons.
- ◆ Make sure that the monitor is not exposed to rough mechanical stress and avoid the influence of extreme temperatures, direct sunlight and intense vibration (e.g. in vehicles).
- ◆ Treat the monitor at all times carefully. It can even be damaged by vibration, pressure, blows or falls from a low height.
- ◆ The monitor must not come into contact with moisture, (e.g. use when it rains). This can damage the monitor and it may lead to risk of short circuit, fire, injury (electric shock, burns).
- ◆ Keep the monitor out of the reach of children. It is not a toy.
- ◆ Never leave the packing materials around! Plastic wrap or bags, polystyrene parts, etc. can be a dangerous toy for children! Risk of suffocation!
- ◆ Repair work may only be carried out by **Graupner** Service Centre or a specialized workshop.
- ◆ For all questions that are not answered in this manual, please contact our Customer Service.

## Charge the Lithium battery

### CAUTION



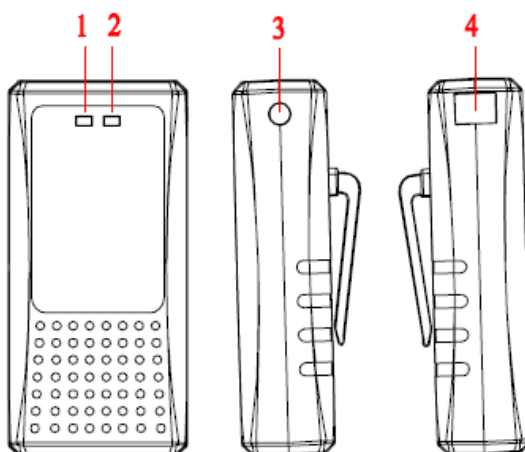
#### General notes on safety and handling Lithium (Li) batteries

- NEVER leave a Lithium battery unattended when in charge. Charge the batteries only in rooms where a smoke detector is installed.
- ALWAYS control the battery and the charger during the entire charge process.
- ALWAYS charge the Lithium batteries on a non-flammable surface.
- ALWAYS keep an extinguisher suitable for Lithium "Class type D" when charging Lilo batteries.
- NEVER charge Lithium batteries at a higher rate than 1C ("C" means the indicated capacity of the battery)
- NEVER charge the Lithium battery with a charger which does not detect the full charge state of the battery.
- ALWAYS interrupt the charge or discharge process of a Lithium battery if you detect smoke or if the battery slowly inflates. Let the battery stay for at least 30 minutes in a fire-safe place. Do not use the battery any more and dispose it as indicated.

#### Charge

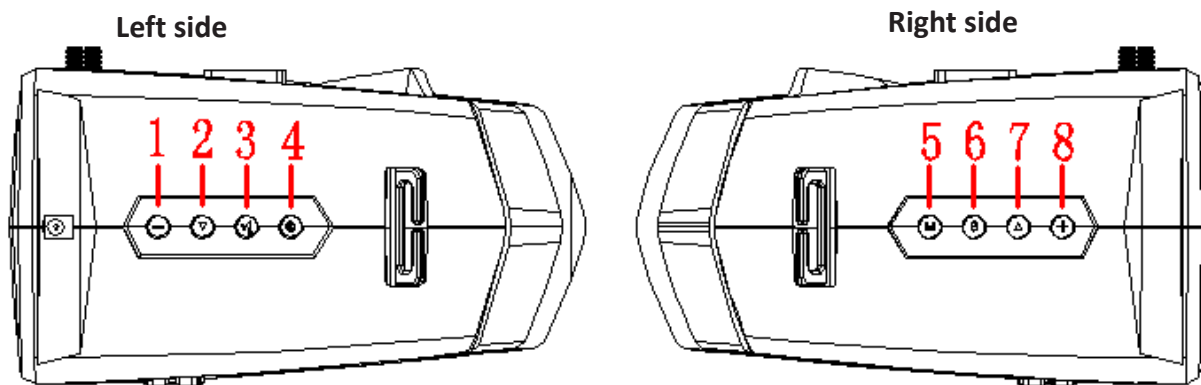
- To charge the included 2600 mAh Lithium battery, you need a suitable 12 V DC net adapter (not included in the package content).
- Plug the net adapter in a suitable net socket, then connect the plug in the "12V DC IN" port of the battery.
- During the charge process the red LED lights on. When the charge process has finished, the LED lights on blue.

#### Allocation of the DC port



1. Blue LED
2. Red LED
3. 7,4 V output
4. 12 V charge input

## Control panel



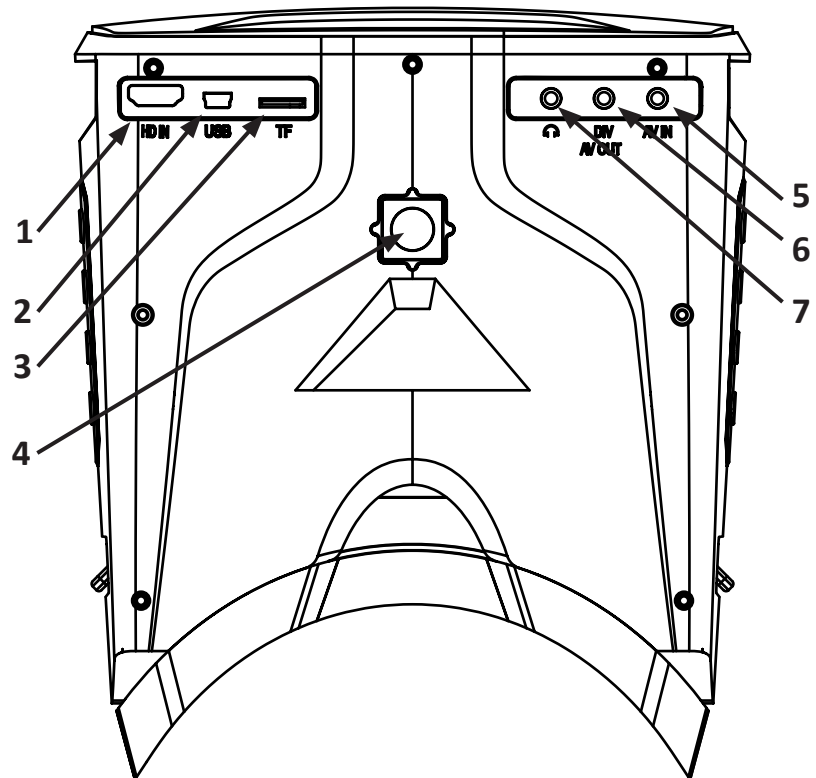
- 1 "-" button
- 2 Scroll down
- 3 V 1/2 - Video input
- 4 no function

- 5 On-screen menu
- 6 Scan button
- 7 Channel switch
- 8 "+" button

Buttons	Description
	Video source Selection of the video input
	Band select Manual select one of the three signal band A/B/F
	Channel select Manual select one of the eight channels 1-8
	SCAN function The monitor searches (Auto Scan Function) automatically all bands and channels
	Minus button Reduces the screen brightness and other options
	MENU Push once to hide the symbols on the screen Push twice to open the menu
	Plus button Increases the screen brightness and other options
	no function. The Monitor is powered on as soon as the battery is plugged in.

---

## Bottom



- |                         |                          |
|-------------------------|--------------------------|
| 1 HD IN (not available) | 5 AV IN - Video input    |
| 2 Mini USB input        | 6 AV OUT - Video output  |
| 3 TF (not available)    | 7 3,5 mm earphone socket |
| 4 Tripod thread         |                          |

---

## Commissioning

Screw the included 5,8GHz antennas on the two connectors placed on the top of the monitor goggle.

The power is supplied by the included Lithium battery, pay attention to charge the battery before use.

Fix the battery in the elastic band.

To use the monitor, push the On/Off button (power) right for 3 seconds.

### Mini USB input

The monitor has a mini USB input to update the firmware. In case new firmware were released, it will be available in our homepage.

**NOTE:** The USB port is not conceived as a power source.



### Tripod thread

The thread for tripod or other monitor holders is on the bottom of the goggle. So it is easier to use.

### AV IN - AV OUT

Video in- and output

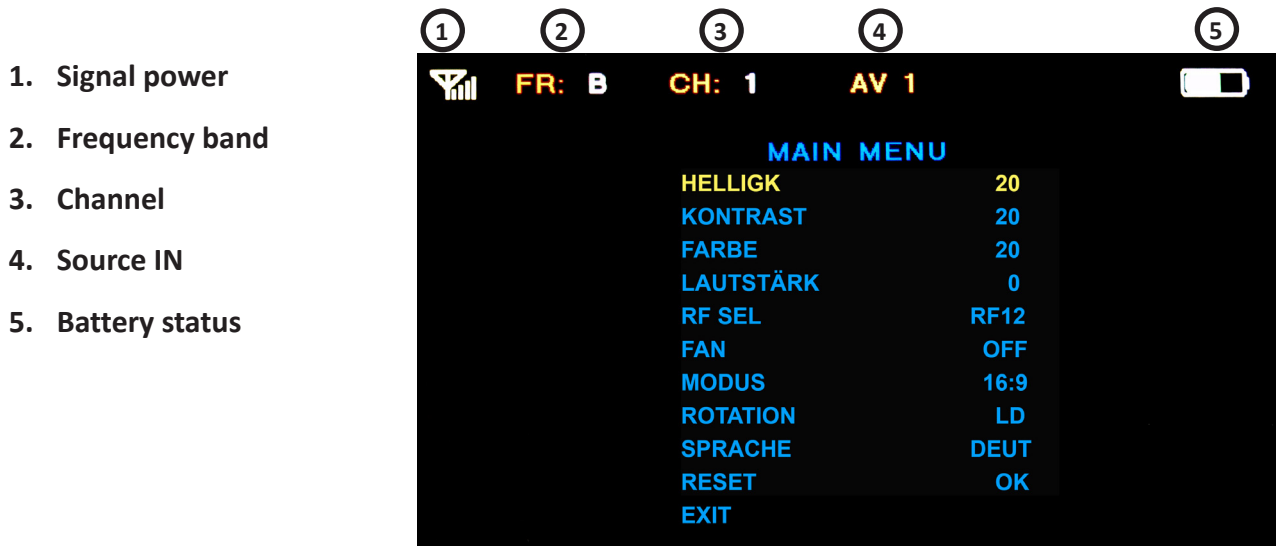


## Earphone socket

Here you can connect your earphone

### Screen symbols / Setting menu

Changes of the frequency band or of the channel will be shown in the upper part of the screen. Charge the battery if the battery indicator indicates empty battery.



### Setting menu

Push twice the "MENU" button to access the selection menu.

Pushing the "MENU" button you can scroll through the menu setting points. To change the value of one of the menu item, push the "plus/minus" buttons. The menu automatically disappears after about 5 seconds if you do not push any button.

- **Brightness, contrast, colour, volume:** (the brightness can be changed even by the main screen, pushing the "plus/minus" buttons)
- **RF Sel.:** Manual selection of the frequency
- **FAN** - no fan available, only at HIVR701
- **Screen Mode:** 16:9 or 4:3
- **Rotation:** Image rotation in four steps
- **Languages:** English, French, German, Spanish, Portuguese, Japan, Russian, Italian, Dutch and Chinese
- **Reset:** Sets all settings to factory value
- **Exit:** Aborts the menu

---

## Technical Data

- ◆ Screen dimensions: 7" (inches) / 178 mm
- ◆ TFT LCD Monitor, LED backlight, 800 x 480 Pixel
- ◆ Contrast: 500:1
- ◆ Holder: tripod thread / sliding insert
- ◆ ISM 5.8 GHz, 40 channel diversity head set
- ◆ Battery: 2600 mAh Lithium battery
- ◆ Weight: ca. 765g
- ◆ Operational temperature: 0 °C ... +50° C

### Frequency table

FR	CH	CH							
		CH1	CH2	CH3	CH4	CH5	CH6	CH7	CH8
FR	FR1(A)	5865M	5845M	5825M	5805M	5785M	5765M	5745M	5725M
	FR2(R)	5658M	5695M	5732M	5769M	5806M	5843M	5880M	5917M
	FR3(E)	5705M	5685M	5665M	5645M	5885M	5905M	5925M	5945M
	FR4(F)	5740M	5760M	5780M	5800M	5820M	5840M	5860M	5880M
	FR5(B)	5733M	5752M	5771M	5790M	5809M	5828M	5847M	5866M

---

## Battery warranty

### The warranty on batteries is limited to 6 months

For this time we will only ensure that the battery fulfils its function, only batteries which can not be more charged and discharged any more can be replaced on warranty. This does not apply to batteries in which the charge and discharge notes were not observed.

---

## Simplified EU declaration of conformity



Hereby, Graupner/SJ declares that the device

**HIVR702** is in compliance with Directive 2014/53/EU EMC.

The full text of the EU declaration of conformity is available at the following internet address: [www.graupner.de](http://www.graupner.de)

---

## Notes on environmental protection



### Disposal notes

This symbol on the product, user manual or packaging indicates that this product must not be disposed of with other household waste at the end of its life. It must be handed over to the applicable collection point for the recycling of electrical and electronic equipment.

The materials are recyclable as marked. By recycling, material reusing or other forms of scrap usage you are making an important contribution to environmental protection.

Batteries and accumulators must be removed from the device and disposed of at an appropriate collection point. Please inquire if necessary from the local authority for the appropriate disposal site.

---

## Care and maintenance



### Notes on care

The product does not need any maintenance, it works so as it is without any special care. In your own interests protect it from dust, dirt and moisture.

Clean the product only with a dry cloth (do not use detergent!) lightly rub.

---

## Warranty

The Graupner, Henriettenstrasse 96, 73230 Kirchheim/Teck grants from the date of purchase of this product for a period of 24 months. The warranty applies only to the material or operational defects already existing when you purchased the item. Damage due to wear, overloading, incorrect accessories or improper handling are excluded from the guarantee. The legal rights and claims are not affected by this guarantee. Please check exactly defects before a claim or send the product, because we have to ask you to pay shipping costs if the item is free from defects.

The present construction or user manual is for informational purposes only and may be changed without prior notice. The current version can be found on the Internet at [www.graupner.de](http://www.graupner.de) on the relevant product page. In addition, the company **Graupner** has no responsibility or liability for any errors or inaccuracies that may appear in construction or operation manuals.

No liability can be accepted for printing errors.

