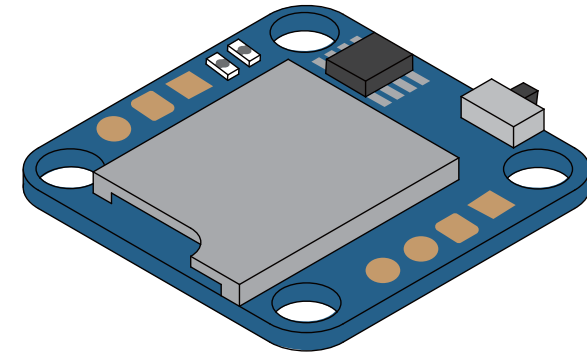


Model	RunCam Mini FPV DVR
Power in	DC 3.3-5.5V
Work Current	250mA Max
Power out	DC 5V @ Max 250mA
Video in	CVBS@1Vp-p 75Ω
Video out	CVBS@1Vp-p 75Ω
Encoder	MJPEG@AVI
Resolution	VGA (640x480)@30fps (NTSC)/25fps (PAL)
Audio in	MIC
Micro SD Card	Max 32G
Dimension	25 x 25mm @20 x 20 M2 holes
Net Weight	3.5g



RunCam Mini FPV DVR

User Manual

LED Status

Red LED Constantly on — Power status light

Blue LED Constantly on — In standby mode

Blue LED Blink slowly (1 time per second) —
In recording mode

Blue LED Blink quickly (2 times per second) —
Micro SD is full or failed to be recognized

Start Recording

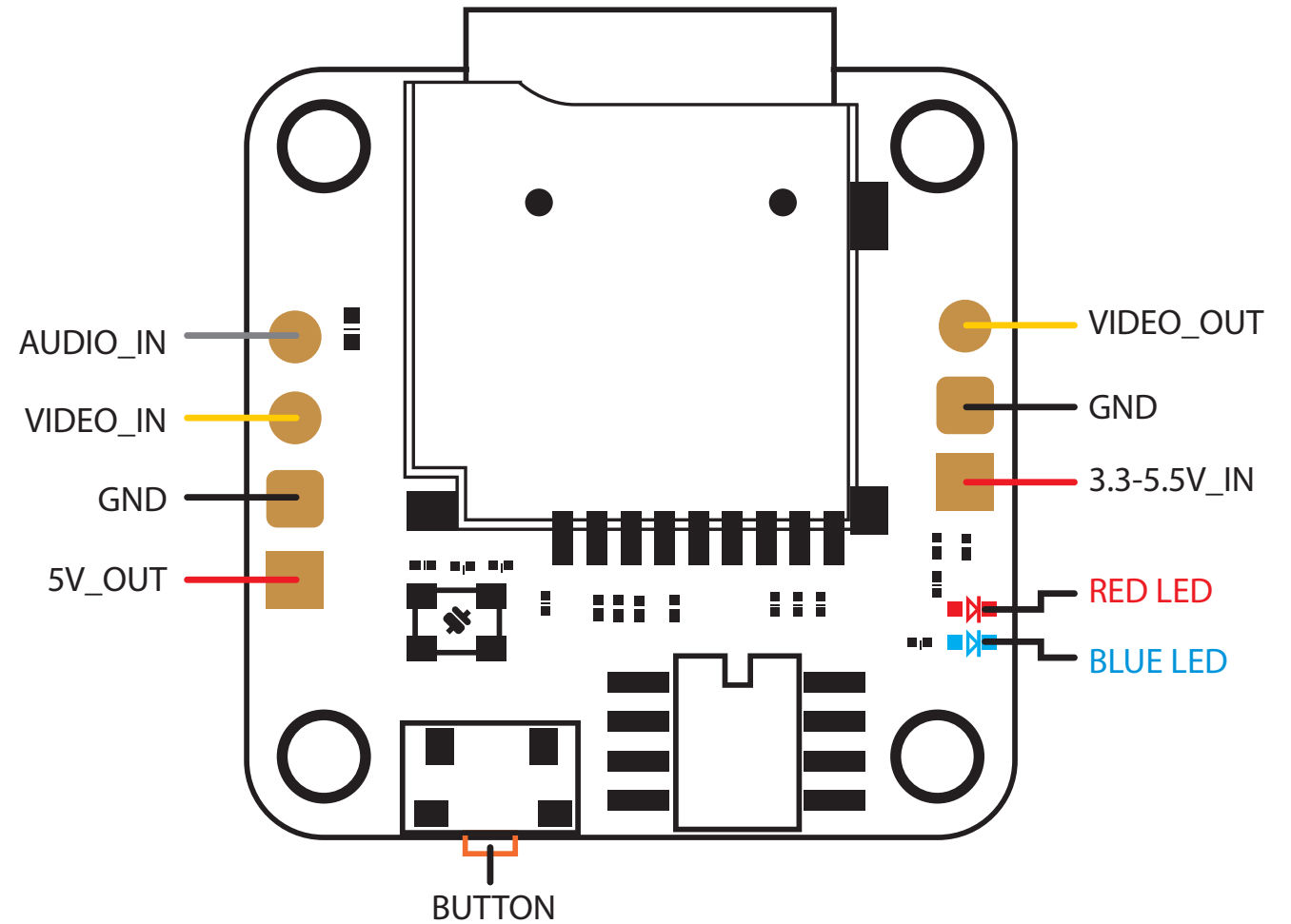
- * Record automatically with power on
(Micro SD Card should be inserted in first).
- * In standby mode, short press the button to start recording.
- * In standby mode, long press the button, about 5 seconds,
till the **blue LED** is off, the SD card will be formatted and
recording will start.

Stop Recording

- * In recording mode, short press the button, file will be saved and DVR will turn to standby mode.

Format Micro SD Card

- * In standby mode, long press the button for 5 seconds, the SD card will be formatted and recording will start.



Warning

- * Recording files will be saved automatically by segment per each **5 minutes** and recording stops when Micro SD card is full.
- * It takes about **2G** capacity for **1 hour** recording. Thus an **8G Micro SD card** can record about **3.5 hours**.
- * DVR won't save the file automatically after power off. So please stop recording before power off. Otherwise, you will miss your last recording.