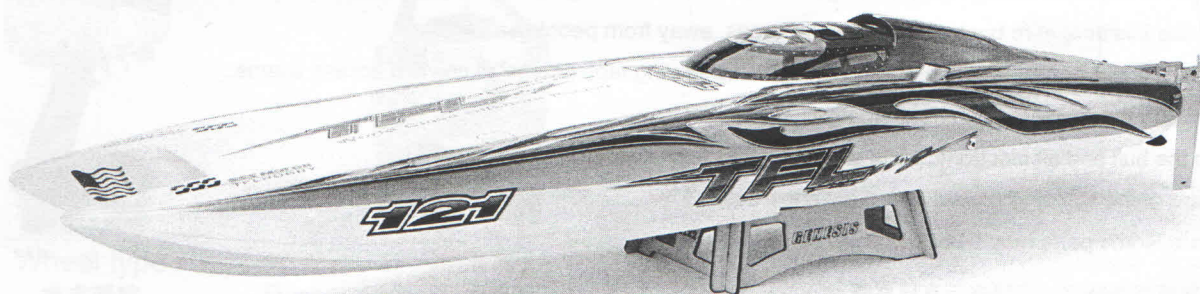
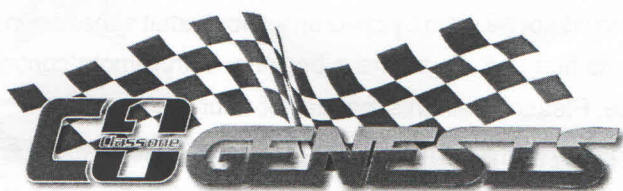


ELECTRIC RACING BOAT

Instruction Manual and Tuning Guide

組裝-使用說明書



37" (950mm)

Genesis brushless motor catamaran

Before beginning assembly, please read these instructions thoroughly!

在動手組裝模型之前，請先詳細閱讀這本組裝使用說明書！

Always keep this instruction manual ready at hand for quick reference, even after completing the assembly.

Introduction 簡介

Thank you for purchasing our boat !

The genesis catamaran is manufactured to true Class One scale, and the hull is built entirely of fiberglass. This genesis model is powered by a brushless inboard power unit. You will appreciate the excitement our model has to offer after our upgrades following much research and engineering.

Our high speed brushless motor system with highly efficient propeller will not only raise power and performance to a new level, but also offers you an unprecedented boating experience.

感謝閣下對天富龍模型產品的信賴與支持，genesis無刷動力賽艇適合中級和剛接觸遙控模型的遙控模型愛好者操控和玩樂。genesis賽艇根據C1真實賽艇按比例縮放設計，使用玻璃鋼工藝精心制作，並配合強大的無刷電機系統，令操控者領略C1賽場上的速度與激情！當經過適度升級改造，genesis無刷動力賽艇無論動力和操控性能都會達到一個新臺階，更令你得到前所未有的新體驗，亦可用使用本賽艇參加RC catamaran相關規範的賽事。

The genesis is a very complex remote control model and should not be used by children without adult supervision. Please carefully read this manual and safety precautions prior to its first use. If you are a beginner with remote control boats, please contact your local club or hobby shop for assistance. Please retain this manual for future reference.

請記住，這是一款非常復雜的比例遙控模型，零件的復雜度和操控性和真正的賽艇非常接近。我們希望這款產品給你帶來賽艇的刺激和娛樂休閒的感受。駕駛該產品需要比較全面的專業知識，所以你需要仔細閱讀這本使用說明書及注意事項，如果你是一名新手或者第一次接觸遙控模型，請在組裝、操控模型前尋求富有經驗的模型愛好者、模型店的幫助，以令商品的性能完美發揮。請保留本手冊，以供將來參考。

Attention 注意事項

1. Keep the model away from sunlight, heat and moisture (somewhere dark, cool and dry).
2. Always remove the battery before storage, transportation or charging.
3. Only use this boat in rc boat approved water areas, away from people and animals.
4. Ensure the electronics are kept waterproof by using sealing tape across all cowling access seams..
5. Make sure the motor is dry before storage.
6. Keep the hull and all electronic parts clean and free from dust or oils.
7. Beware of the spinning propeller ... it is dangerous.
8. Beware, some parts may be hot after use.

1. 不能將模型長時間放在陽光下直接暴曬。
2. 不要將此模型駛近高壓輸電綫、無綫電鐵塔，或者其他有無綫電波管制的區域。
3. 做好防水工作，不要讓水或其他液體接觸到任何電氣部分，包括馬達、遙控器、伺服電路、電子調速器等，並有效地用密封膠帶將船艙蓋密封。
4. 模型船應該存放在陰涼乾燥的地方，濕度高的地方可能令模型加速銹蝕。
5. 保持船身幹淨清潔，不要讓灰塵、油污接近船身和電氣部分。
6. 運輸過程請保持船體的平穩，劇烈的顛簸、搖晃和硬物的撞擊會導致船身和零部件的損壞。
7. 除了必要的零部件，船艙內不能留有任何異物。
8. 請不要將手和其他物體靠近高速旋轉的螺旋槳、外轉子無刷電機的外殼，這些都會使你受到不必要的傷害。
9. 剛剛停航的馬達和電池都有一定熱量，為防燙傷應避免觸摸這些地方。

WARNING 警告

Always arrive prepared to rescue your boat in case it stops. NEVER swim for your boat. A fishing rod with line and small weight is a good rescue method.

1. 不要在人群密集的地方操控快艇，包括公眾海濱浴場，公眾游泳池和其他一些水上會所，任何有船隻行駛的主航道，因為在模型的安全問題上你負有完全的不可推卸的責任！！
2. 在模型的放航前要做好船隻的拯救打撈措施，因為你的船隻很有可能在湖中停航。
3. 在風急浪湧或潮汐高漲的天氣請不要讓模型下水，這時水面下很可能有強大的暗流，你不但要做好船隻的保護工作還要為自身的安全多作考慮，避免失足落水。

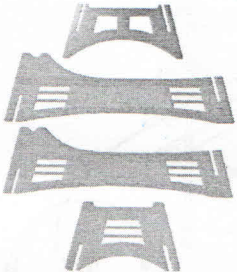


Included Items

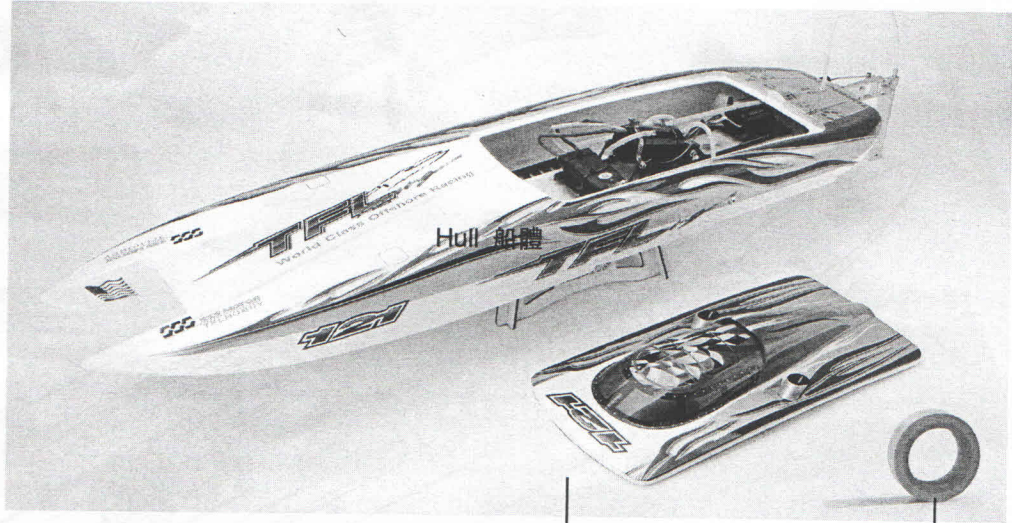
包裝內容



Manual
組裝調試說明書



Wooden Display Stand
木制展示船座



Cabin cover
船艙蓋

Waterproofing tape
防水膠帶

User supplied items

必要配件 (選購)

2Ch radio control unit with



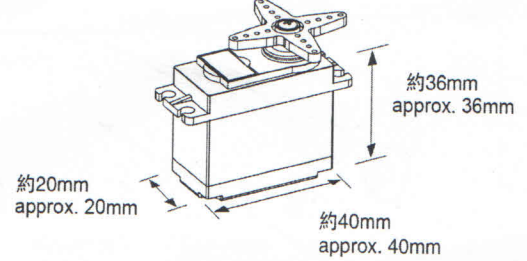
Wheel type
槍式遙控

or
或



Stick type
杆式遙控

Please check the size of your servo if it's in accord with installation requirement.
請檢查你的伺服器的尺寸是否符合安裝要求



適合的伺服器尺寸

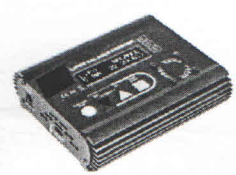


AA Size

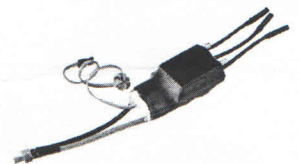
8 pieces AA battery (for transmitter)
AA-規格電池8個 (發射機用)



Main battery 11.1V (3S) LiPo 2200mah 25c



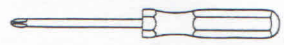
Charger
快速充電器



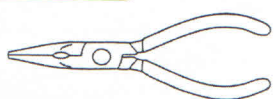
3S80A capable watercooled Brushless electronic speed controller with BEC

Tools Required

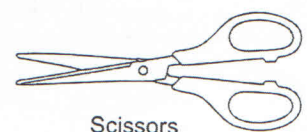
需要自備的工具



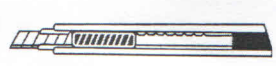
Philips Screwdriver
十字螺絲刀



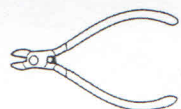
Needle Nose Pliers
尖嘴鉗



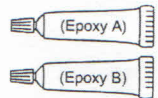
Scissors
剪刀



Hobby Knife
模型刀



Wire Cutters
鋼絲鉗

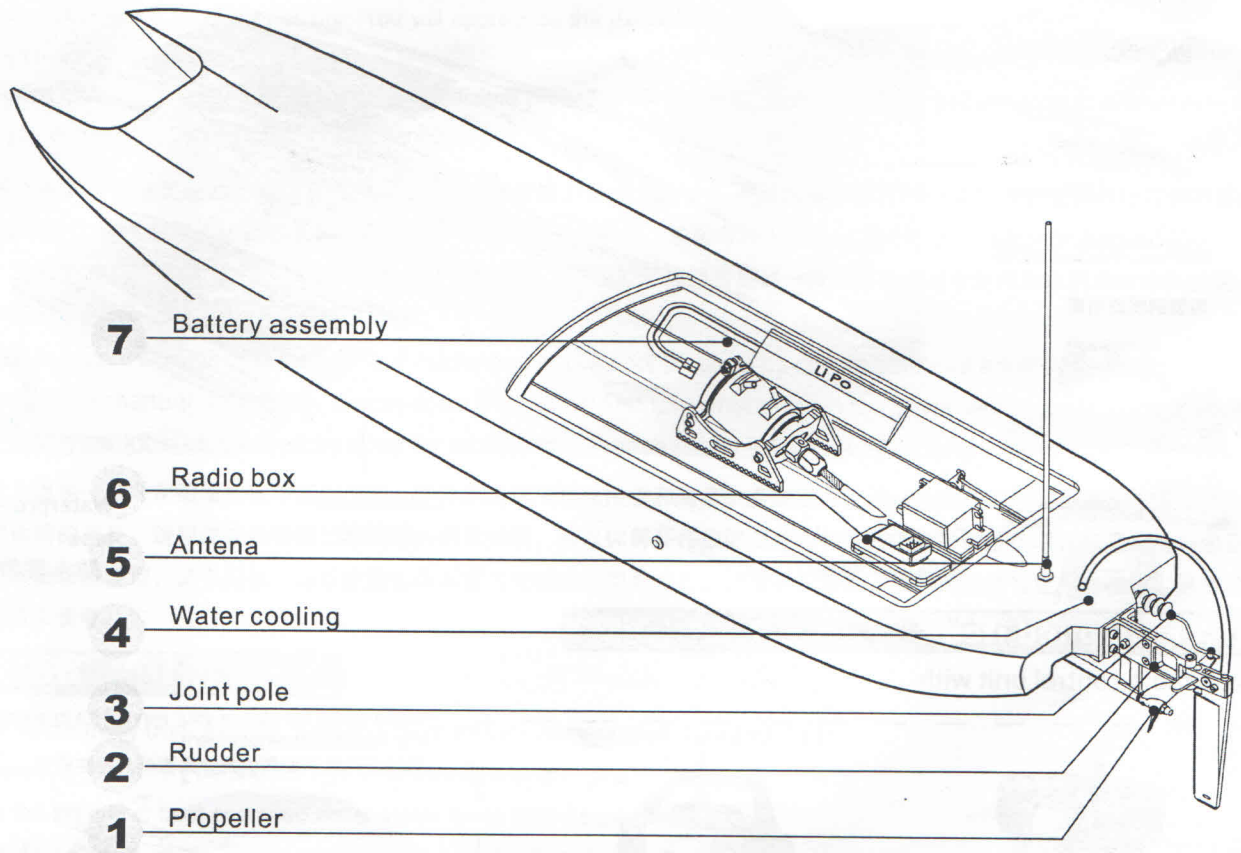


Epoxy Glue
雙組分環氧膠

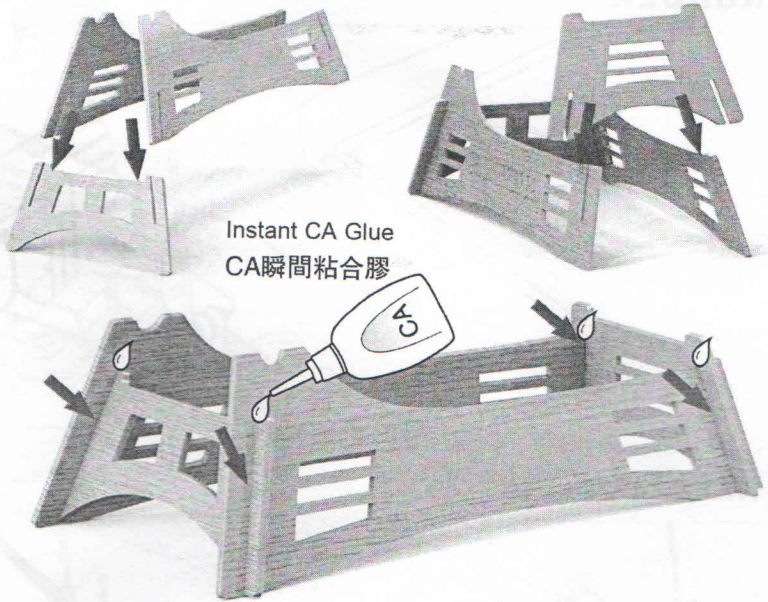
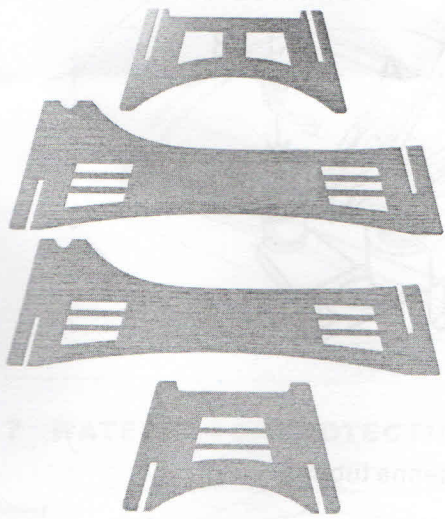


Instant CA Glue
CA瞬間粘合膠

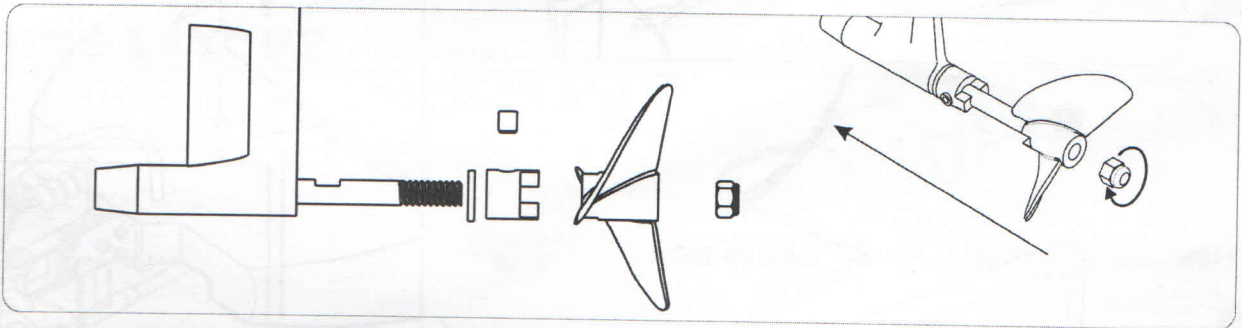
Model Overview 各部位概述



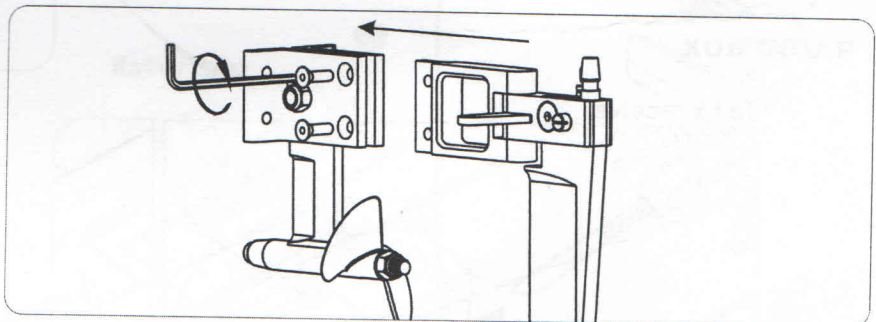
BOAT STAND 船座



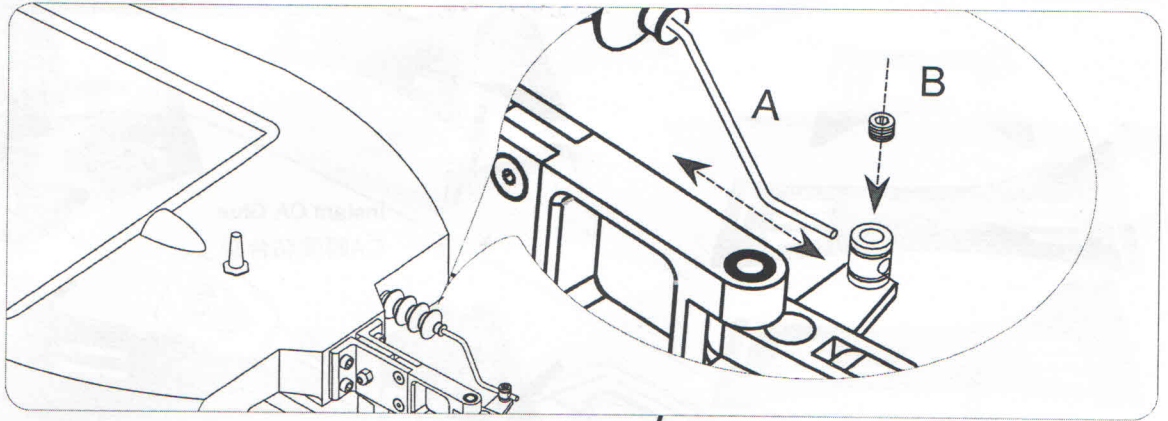
1 DRIVE SHAFT



2 RUDDER

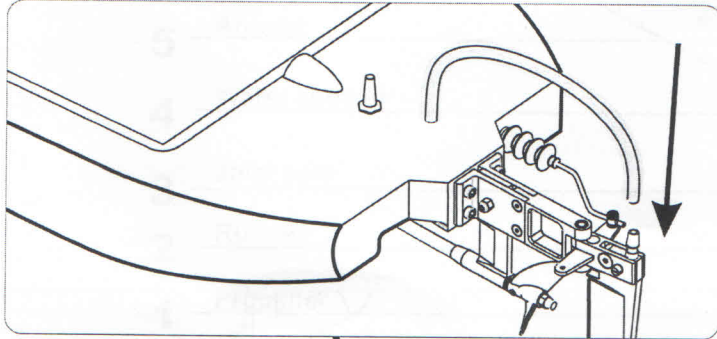


3 RUDDER

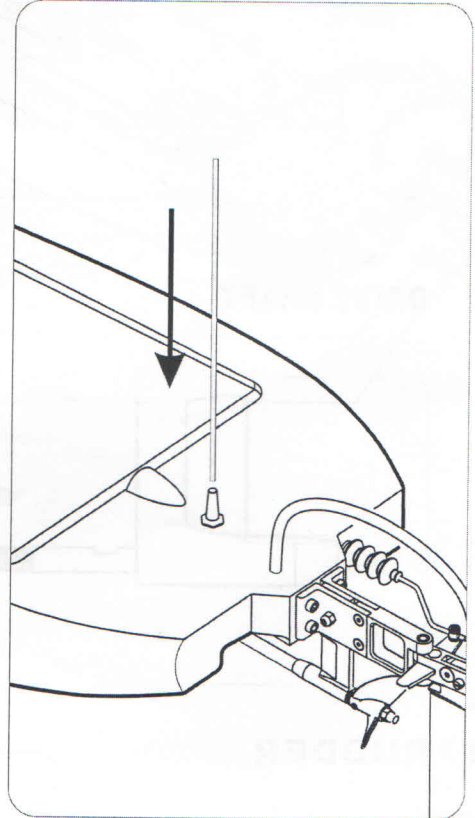


4 WATER COOLING

Connect silicone tube



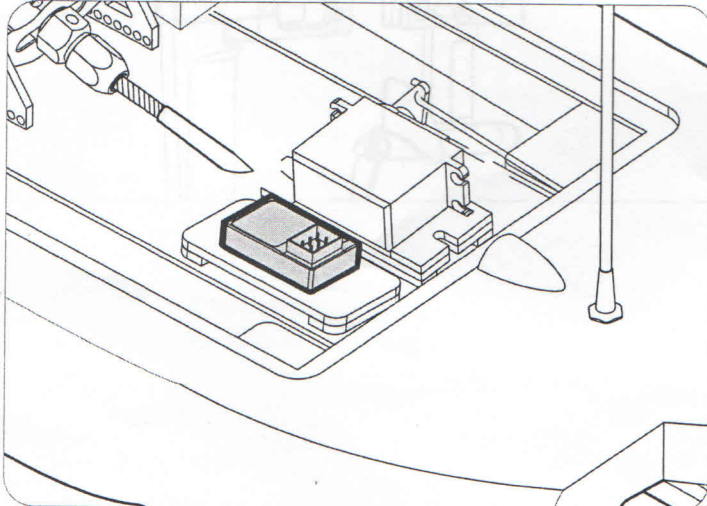
Antenna tube



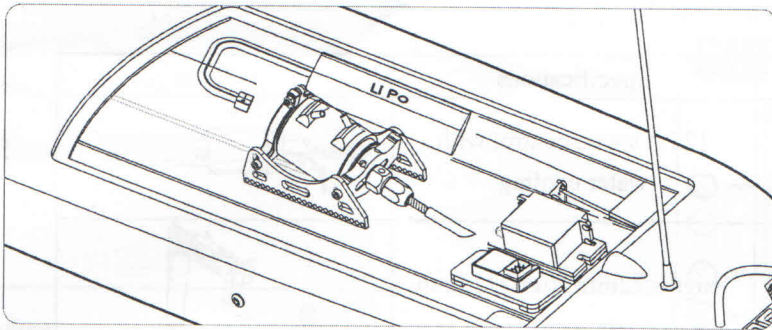
5 RADIO BOX

6 RADIO BOX

To fix receiver

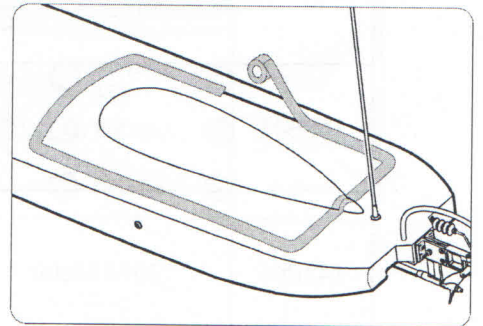
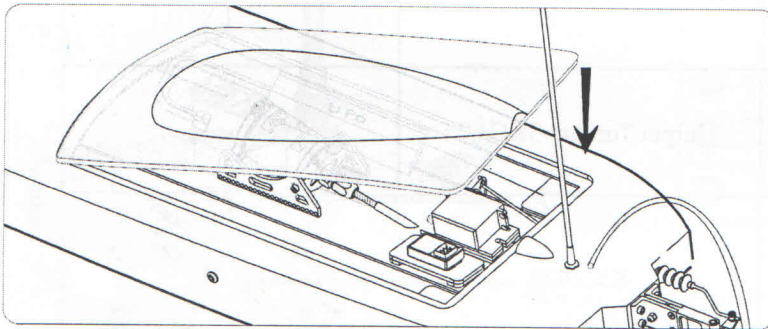


7 BATTERY ASSEMBLY

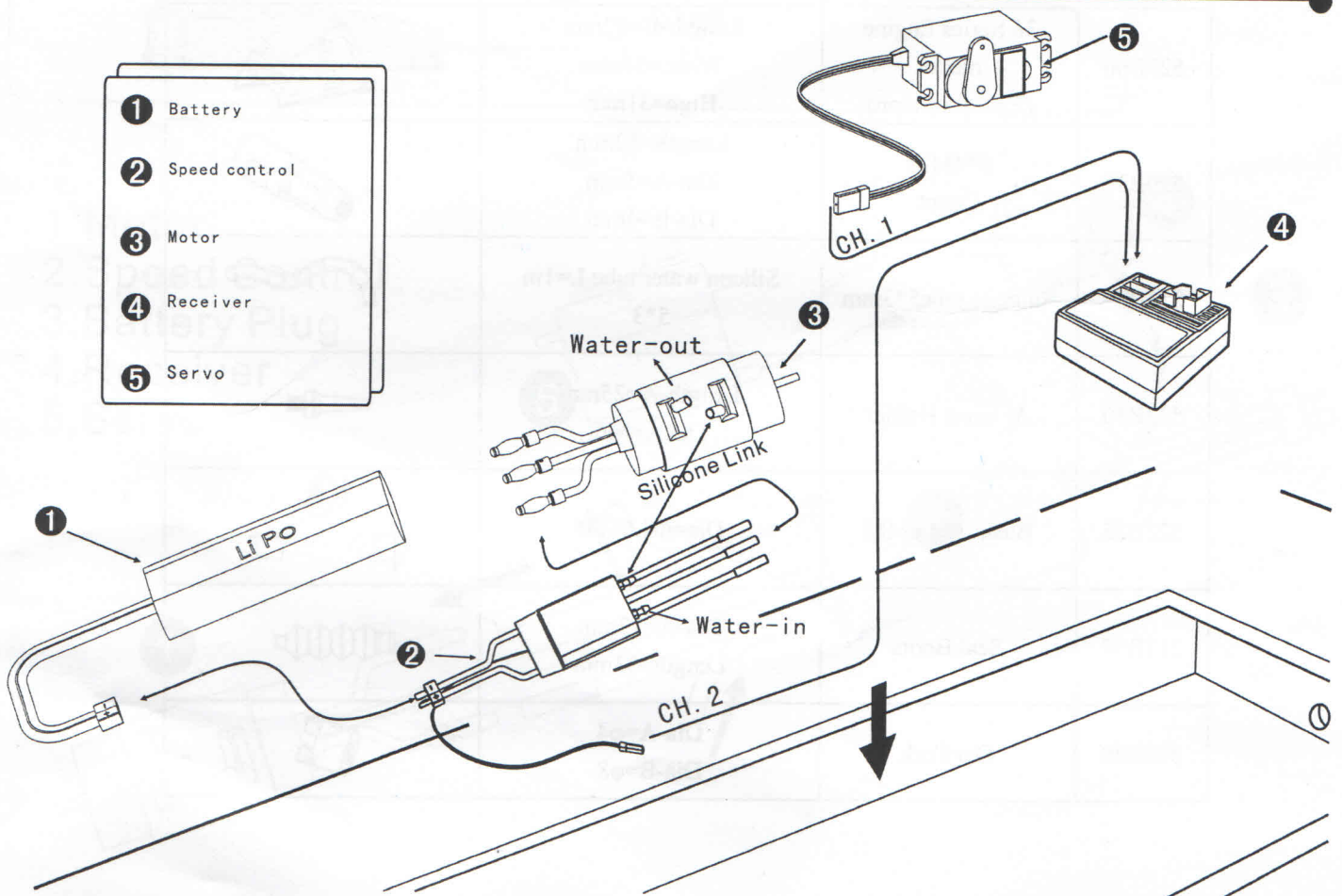


To fix receiver

7 WATERPROOF PROTECTION

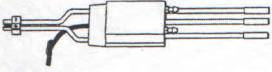
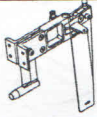

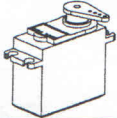
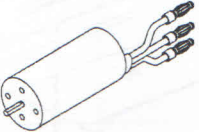
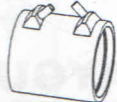
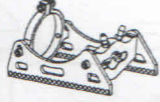
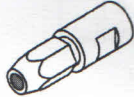


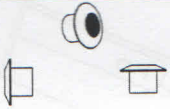




WIRING LAYOUT

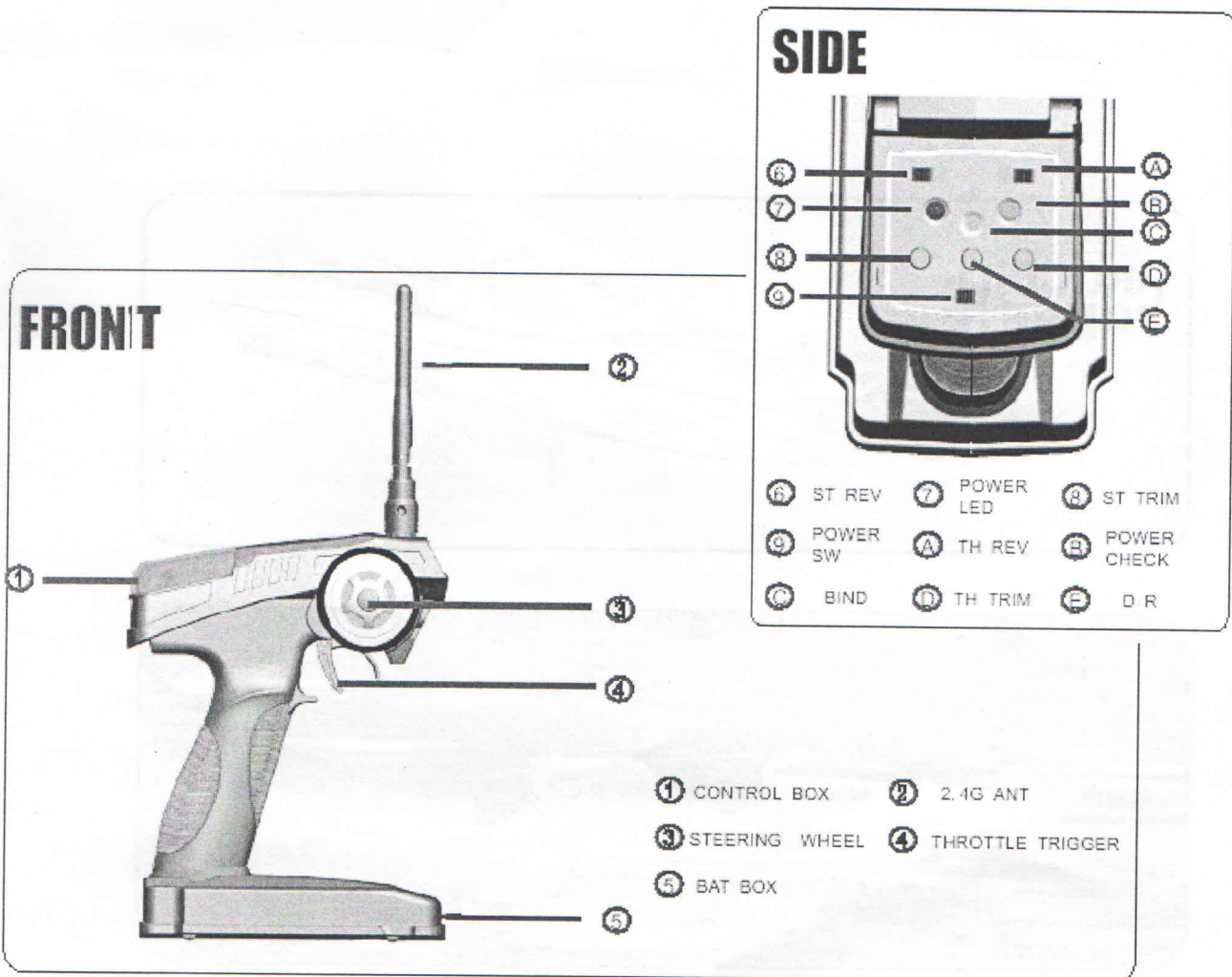


- 1 Battery
- 2 Speed control
- 3 Motor
- 4 Receiver
- 5 Servo

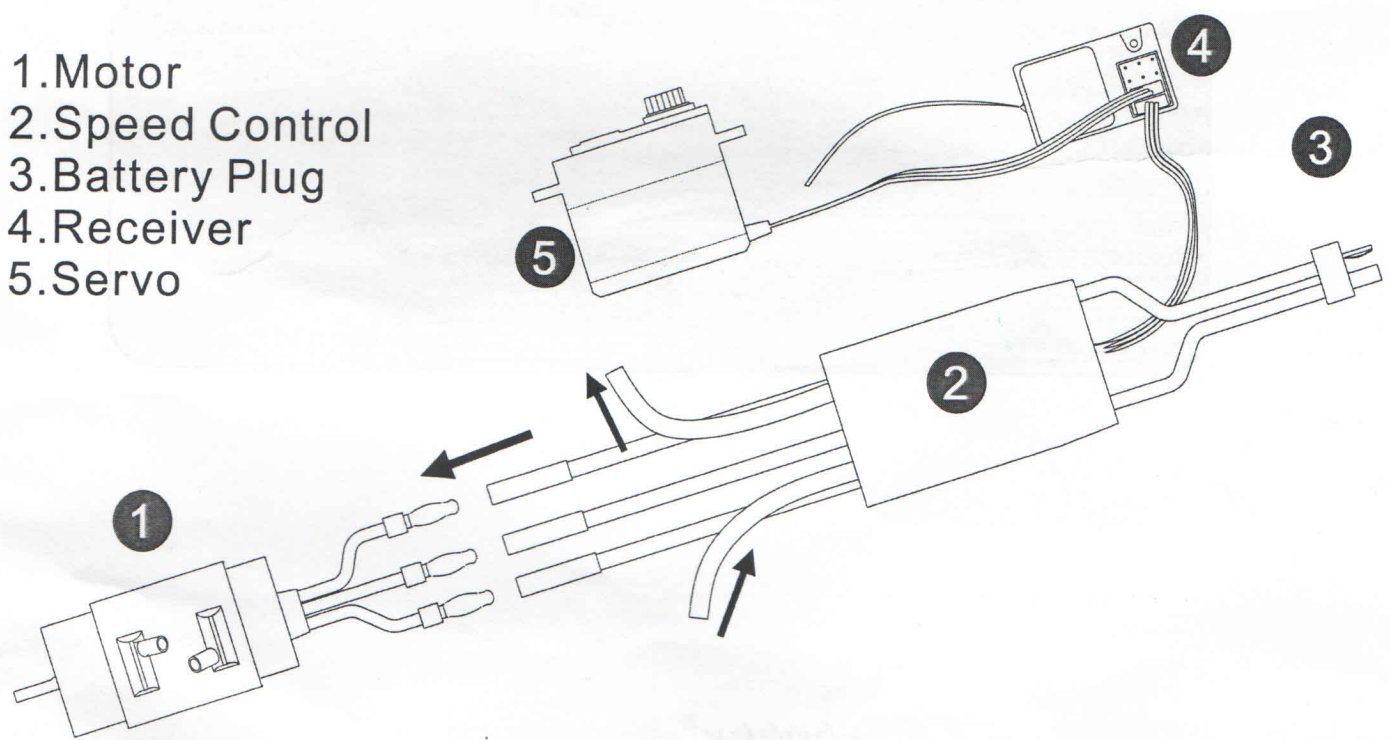
OPTIONAL SPARE PARTS

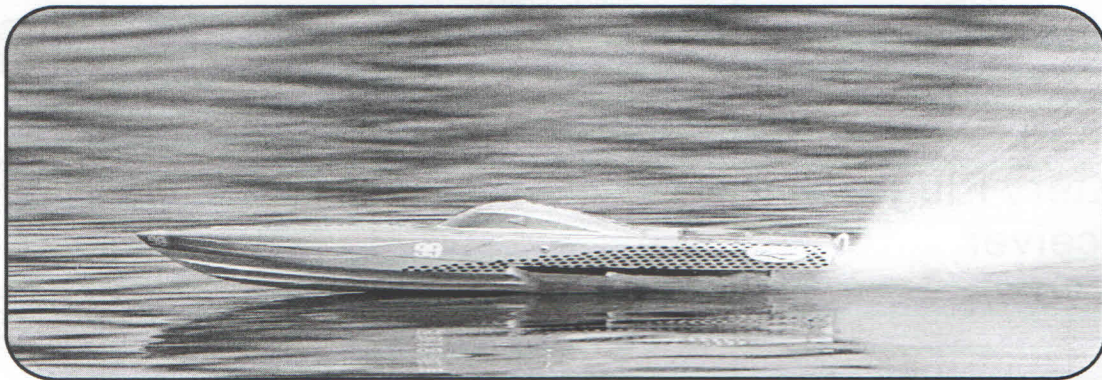
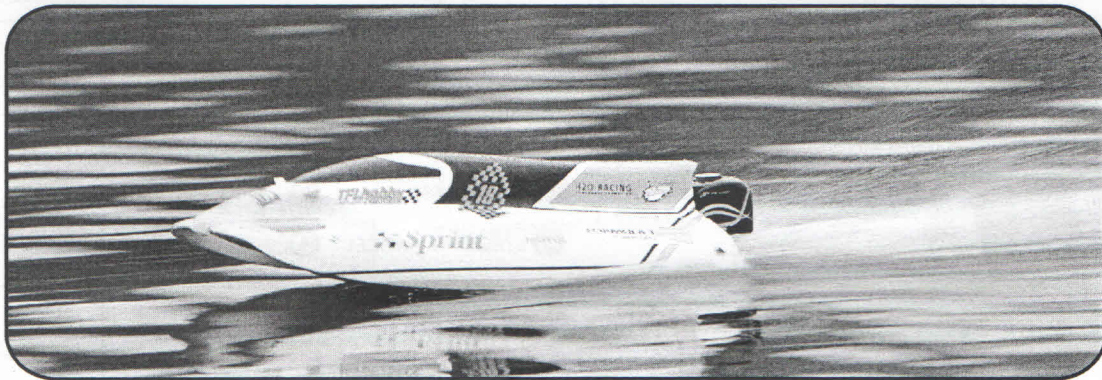
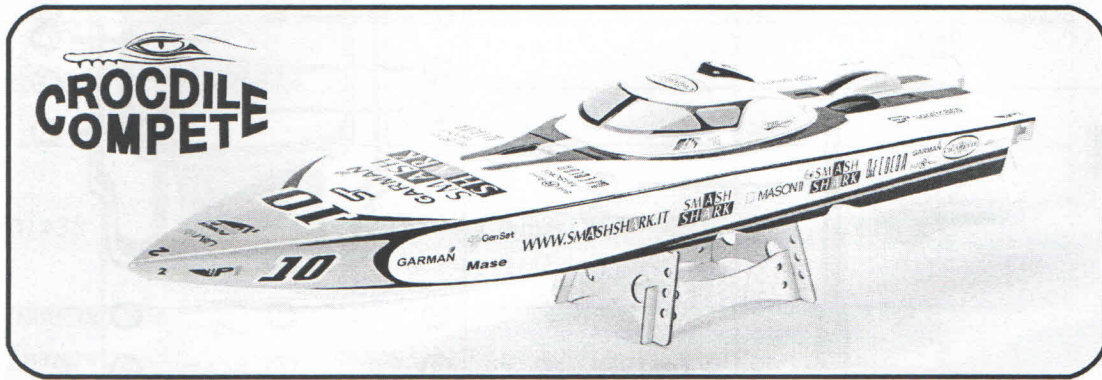
Model	Part names	Specifications	Photo
151b71	125 A Speed control	125 A speed control with water cooling	
502B20	110 Rudder	length=72mm High=115mm	
2B01*38	38 Plastic propeller	Dia-A=4.76mm,Dia-B=38mm	
148B41	Servo	Output Torque=3KG.CM	
142B66	3674 Motor	KV:2075	
511B92	3660 Motor Water cooling jacket	Bore diameter: ϕ 36MM	
523B60	36 Series Engine mallet (Epoxy version)	Length-B=92mm Widc.=58mm High=31mm	
529B31	5*4MM Couet	Length=32mm Dia-A=5mm Dia-B=4mm	
213B20	Silicone tube5*3mm	Silicon water tube L=1m 5*3	
533B10	Antenna Holder	Length-A=25mm Dia.A=M6	
522B25	Bush ϕ 4.6MM	Dia= ϕ 4.6MM	
213B55	Seal Boots	Dia-A=13mm Length=33mm	
518B20	Oar Fork	Dia-A= ϕ 4 Dia-B= ϕ 8	

RADIO PREPARATION



- 1. Motor
- 2. Speed Control
- 3. Battery Plug
- 4. Receiver
- 5. Servo





MODEL
COMPETITION

TFLhobby®

WWW.TFLHOBBY.COM

GUANG ZHOU TIANFULONG MODEL CO.,LTD.
ADD: NO.99 DongXiang LianFa industrial park NanPu LuoXi GuangZhou China.

Zip code:511000
Tel: +8620 34541135 Fax: +8620 84043484

Linkman:Mr.ke
E-mail: TFL@tflhobby.com

Web: <http://www.tflhobby.com>
Working time: 8:00am-9:00pm (BeiJing time)

廣州市天富龍模型有限公司

網站地址: <http://www.TFLHOBBY.com>

電子郵箱: TFL@TFLHOBBY.com

聯繫電話: +8620-34521973