

INSTRUCTION MANUAL

GENESIS • 900

No:1122



Please read this manual carefully before beginning assembly

INDEX

- 1 OPERATING YOUR MODEL SAFELY
- 2 TECHNICAL SPECIFICATIONS
- 3~5 SETUP BEFORE USE
- 6 RADIO PREPARATION
- 7 OPTIONAL SPARE PARTS



SAFETY PRECAUTIONS

This radio control model is not a toy.

- First-time builders should seek the advice of experienced modellers before commencing assembly and if they do not fully understand any part of the construction.
 - Assemble this kit only in places out of children's reach!
 - Take enough safety precautions prior to operating this model. You are responsible for this model's assembly and safe operation!
 - Always keep this instruction manual ready at hand for quick reference, even after completing the assembly.
- The product you have purchased is powered by a rechargeable battery. The battery is recyclable. At the end of its useful life, under various national / state and local laws, it may be illegal to dispose of this battery into the municipal waste stream. Check with your local solid waste officials for details in your area for recycling options or proper disposal.



READ THIS FIRST

Be sure to read right through the instructions covering assembly and operation of your model before you attempt to operate it for the first time. You alone are responsible for the safe operation of your radio-controlled model. Young people should only be permitted to build and operate these models under the instruction and supervision of an adult who is aware of the hazards involved in this activity.

We have no control over the way you built and operate your RC model, and for this reason we are obliged to deny all liability for accidents. All we can do is point out the hazards and make sure you are aware of them. If you need help, please enlist the aid of an experienced modeler, a model club or enrol at a RC model training school. Model shops and specialized model press are also good sources of information.

Every time you intend to operate your model carefully check that the model itself and everything attached to it (e.g. propeller ,gearbox, RC components etc.) is in good condition and undamaged. If you find a fault do not operate the model until you have corrected it.

Check whether your frequency is vacant before you switch on. Radio interference caused by unknown sources can occur at any time without warning, If this should happen, your model will be uncontrollable and completely unpredictable. Never leave your radio control system unguarded, as other people might pick it up and try to use it.

If you are to operate your model safely and avoid problems, it is essential that you are aware of its position throughout each run, so don't let it drive too far away! If you detect a control problem or interference during operation, immediately recall the model to prevent a potential accident.

Always switch on the transmitter first, then the receiving system. Use the reverse sequence when switching off: receiver first, then the transmitter. Check that the control move in the correct "sense" when you operate the sticks.

If you take reasonable care, RC modeling is a highly creative, instructive, enjoyable, and relaxing leisure.

Turn on electric but in vain	Polarity reversed	ESC maybe have consumed.Take care to maintain correct polarity and try it again,change another ESC if they still no response.
Overheating	Water cooling system has something blocked	Check about whether there is anything blocked in water inlet of rudder,in water outlet of boat,and in silicon tube.If yes,please cleaning carefully.
	Silicon tube fall	Carefully check about whether silicone tube of ESC,motor,rudder,water outlet is falled,then put it on.
	Have changed propeller	Please change to the original fitting
Running too slow	batteries are weak	Replace new batteries
	hull is be tied	Removal
	The propeller hit and be damaged	Change a new propeller
Out of control	Radio out of control	Please using the radio strickly according to instruction manual
	Water in electronic aid	Before entering water make sure electronic aid have finished dry processing
Water in boat	Silicone tube fall	Put it on
	Tape of the lid is falled	Put it on,and make sure it's waterproof.
	hull is ruptured	Use gluewater to repair
	Overtured	Check whether there is water in,and cleaning in time.
Motor reversal	Reversed connection of ESC	Exchange position for two output line of the three
	Wrong setting of radio	Please setting radio according to instruction manual

TECHNICAL SPECIFICATIONS

Length:950mm

Beam:230

Depth:40mm

Hull material:Fiberglass

Weight:2200g

Power:Brushless 3674 KV 2075 motor with water cooling,125A ESC with BEC

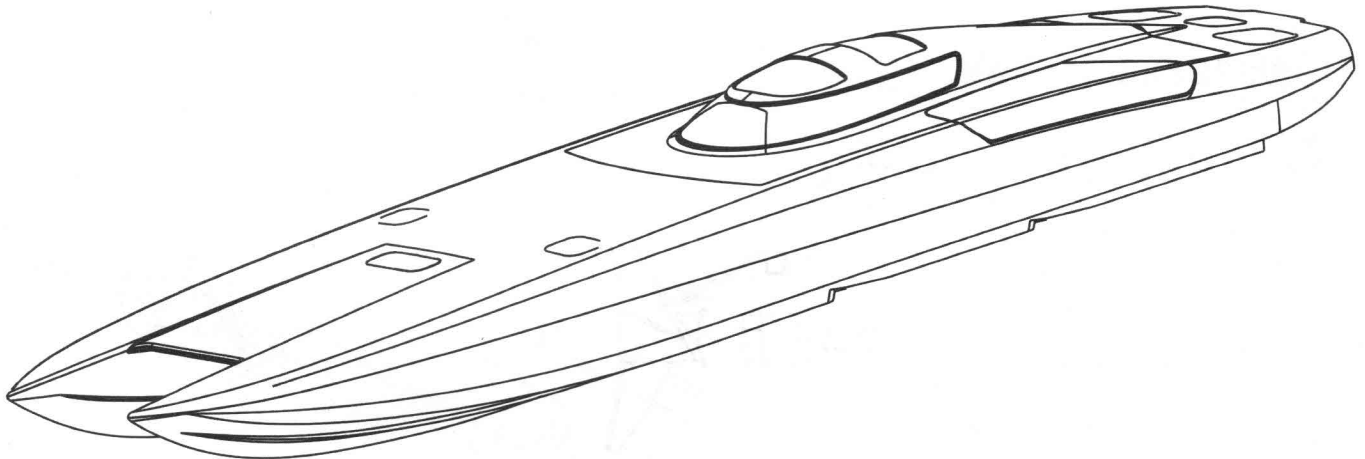
Proeller: 2 Blade Nylon

Power suply:14.8V 4000mAh 25C LiPo battery(not Included)

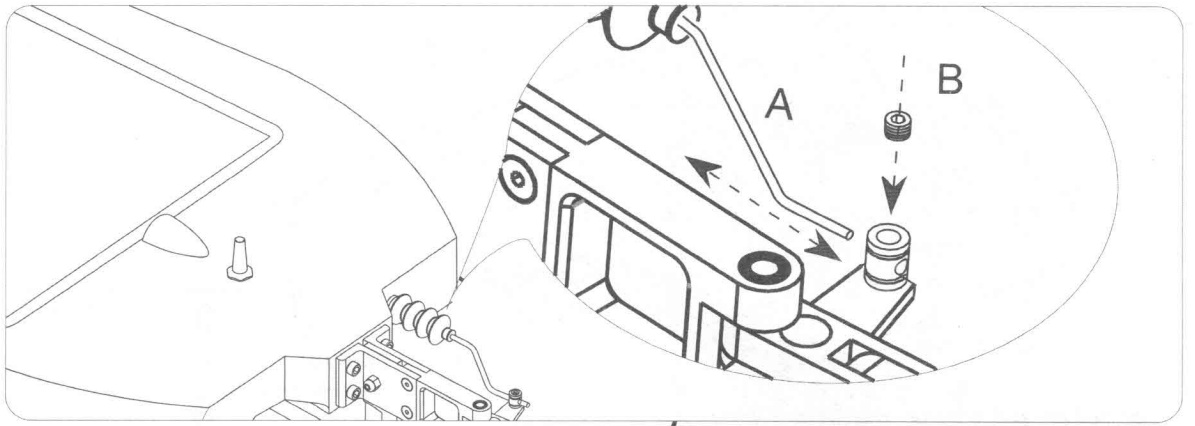
Servo:One 3kg standard servo

Please choose raido control according to you requirement!

Speed:55-60 KM/H

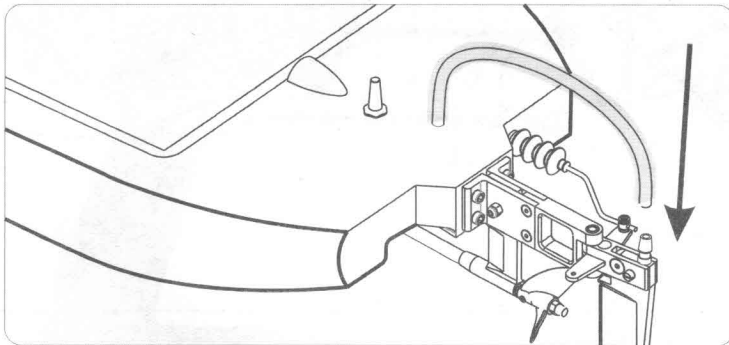


3 RUDDER

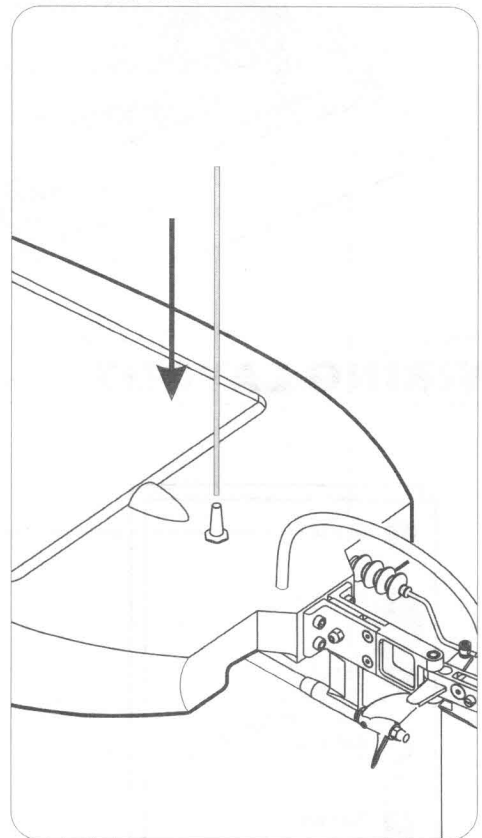


4 WATER COOLING

Connect silicone tube



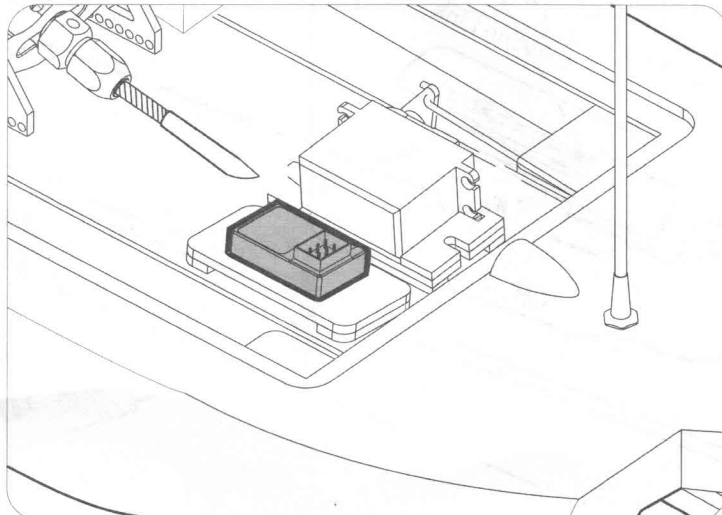
Antenna tube



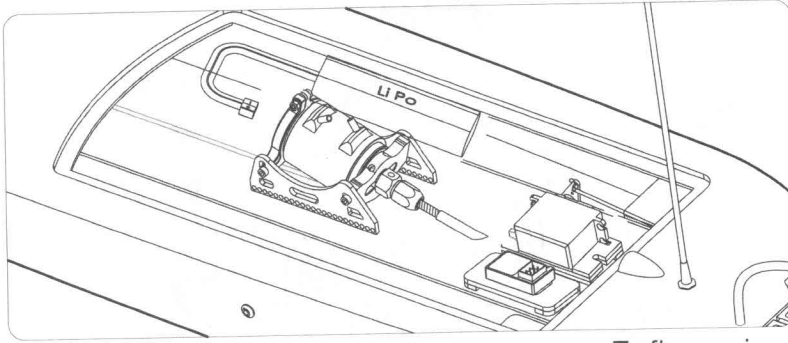
5 RADIO BOX

6 RADIO BOX

To fix receiver

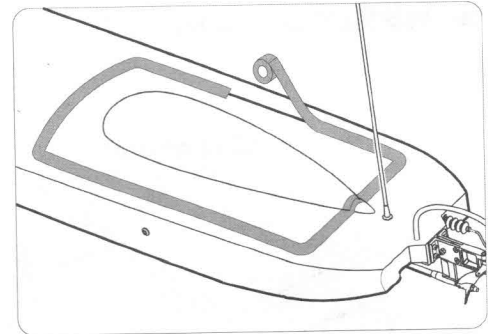
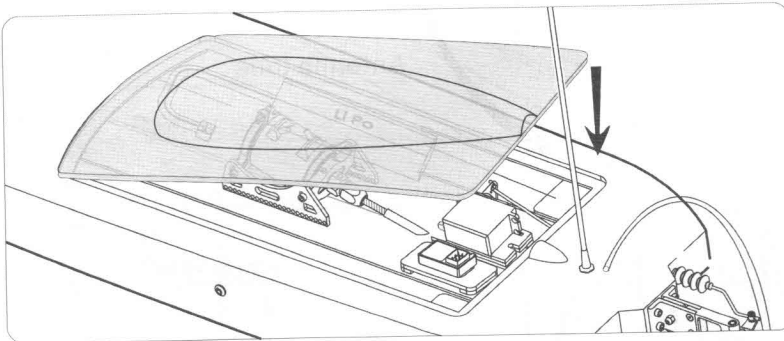


7 BATTERY ASSEMBLY

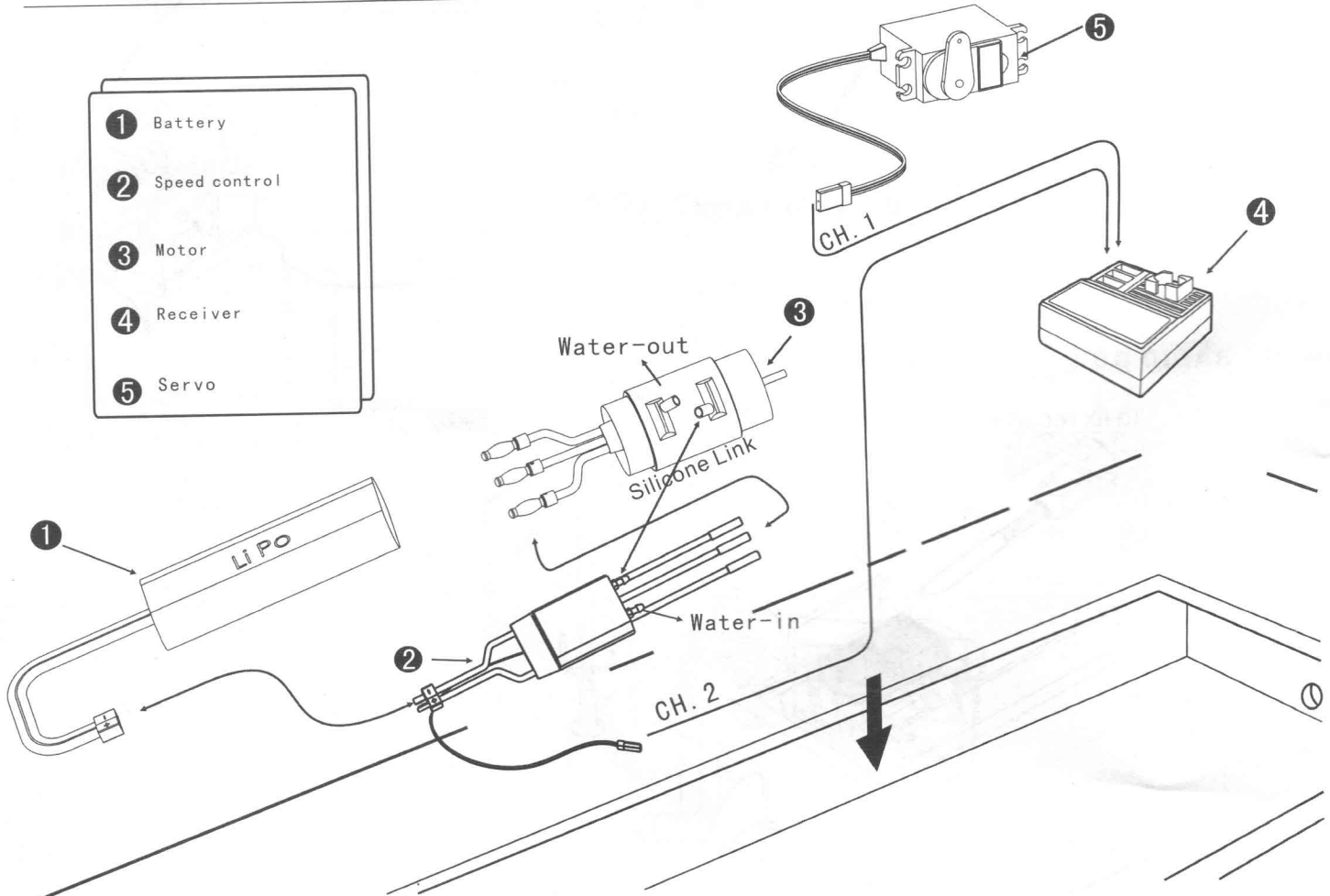


To fix receiver

7 WATERPROOF PROTECTION



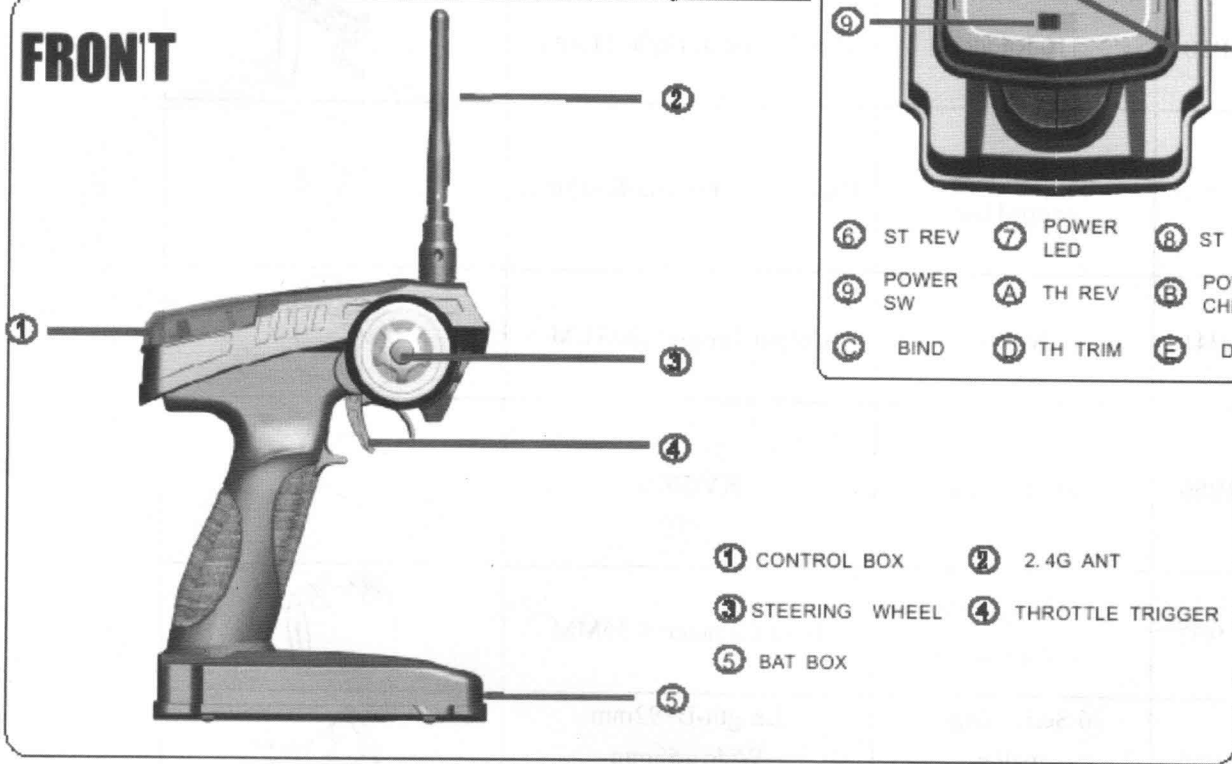
WIRING LAYOUT



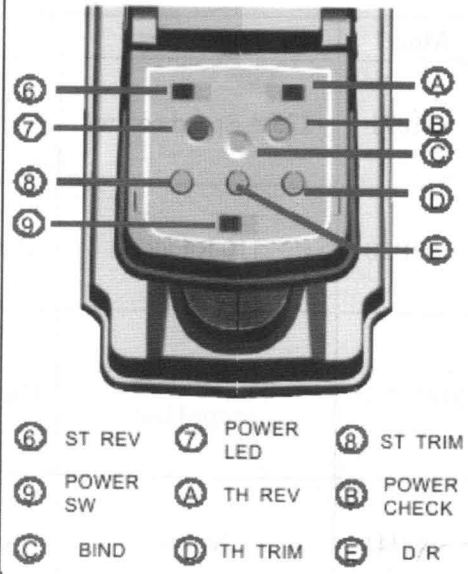
- 1 Battery
- 2 Speed control
- 3 Motor
- 4 Receiver
- 5 Servo

RADIO PREPARATION

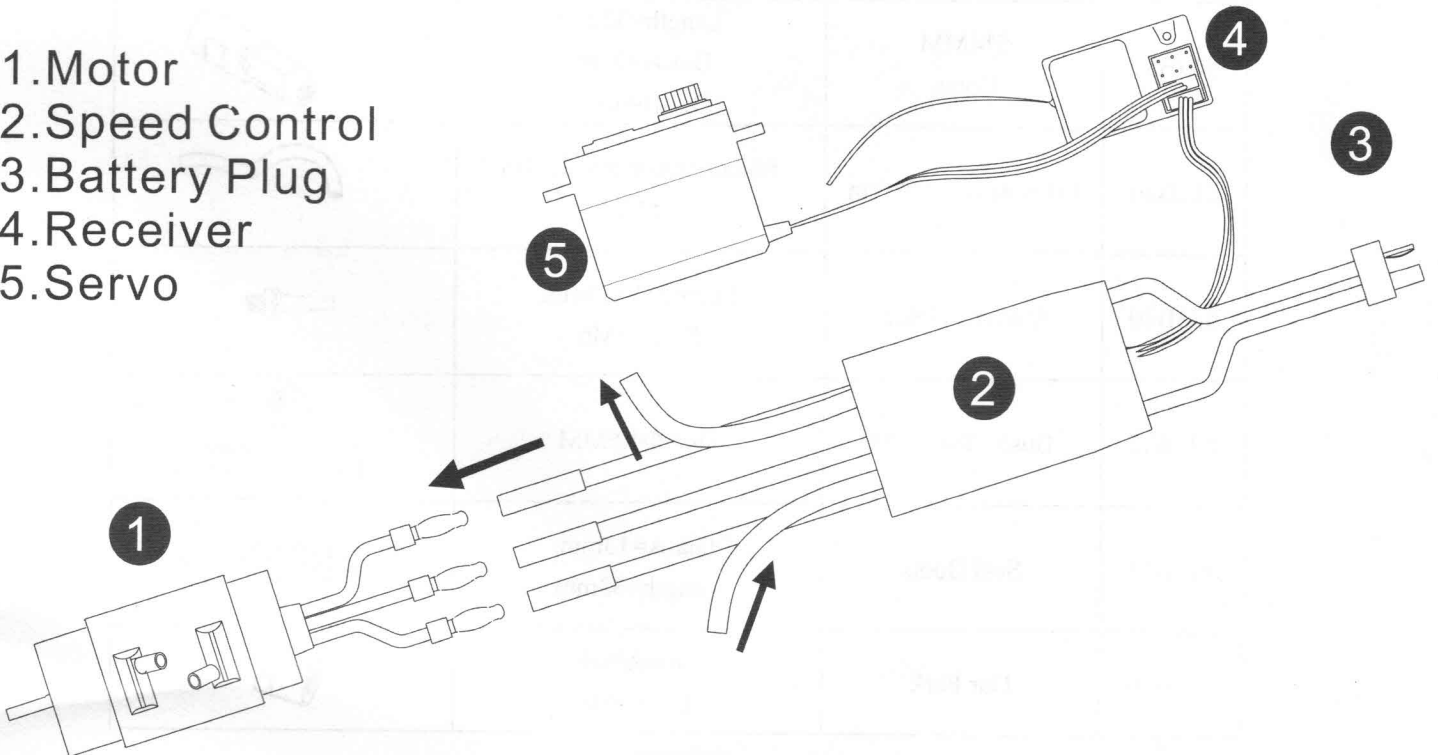
FRONT



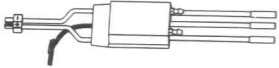
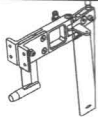

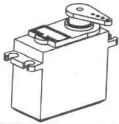
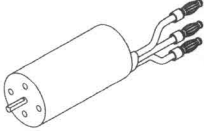




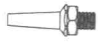



SIDE



- 1. Motor
- 2. Speed Control
- 3. Battery Plug
- 4. Receiver
- 5. Servo



OPTIONAL SPARE PARTS

Model	Part names	Specifications	Photo
151b71	125 A Speed control	125 A speed control with water cooling	
502B20	110 Rudder	length=72mm High=115mm	
2B01*38	38 Plastic propeller	Dia-A=4.76mm,Dia-B=38mm	
148B41	Servo	Output Torque=3KG.CM	
142B66	3674 Motor	KV:2075	
511B92	3660 Motor Water cooling jacket	Bore diameter: ϕ 36MM	
523B60	36 Series Engine mallet (Epoxy version)	Length-B=92mm Widc.=58mm High=31mm	
529B31	5*4MM Couet	Length=32mm Dia-A=5mm Dia-B=4mm	
213B20	Silicone tube5*3mm	Silicon water tube L=1m 5*3	
533B10	Antenna Holder	Length-A=25mm Dia.A=M6	
522B25	Bush Φ 4.6MM	Dia= Φ 4.6MM	
213B55	Seal Boots	Dia-A=13mm Length=33mm	
518B20	Oar Fork	Dia-A= ϕ 4 Dia-B= ϕ 8	

GENESIS 900

