

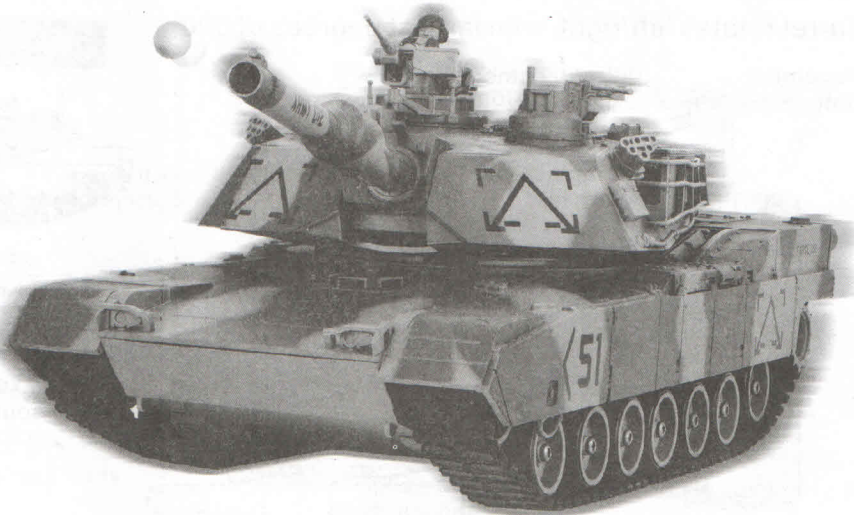


Huanqi

REMOTE CONTROL MODEL TANK INSTRUCTION MANUAL

- Forward / Backward /
Turn left / Turn right /
Emplacement circumgyrate left and right /
Emplacement can turn 300° /
Emplacement uplift and drop
- Simulation Sound

Thank you for your purchase of our model tank. To ensure safety, please read this instruction manual carefully before operating and keep it in a safe place for further reference.



⚠ WARNING

- * Please follow the instruction for installing and operating, some parts are to be installed only by adults.
- * Keep small parts away from children as they might be swallowed and cause choking.
- * Do not operate the tank on roads.
- * Please throw the wrapper in time to avoid danger for children.
- * Please regularly check the charger, wire, plug, body shell and other parts. If any damage is observed, don't use it until the damage is repaired.
- * Please use appointed power source to charge the tank.
- * Only use the attached charger to charge the battery.
- * The charger is not a toy.
- * Always disconnect the charger with the tank before cleaning.
- * Do not point the antenna toward faces.
- * Please operate under parental guidance.
- * Never share the same frequency with others at the same place to avoid failure or danger.
- * Please avoid humidity environment because it may cause electrical failure.
- * Please stop operating if you hear thunder or see lightning.
- * Mind the polarity of battery when installing or changing battery.
- * Non-rechargeable batteries are not to be recharged.
- * Rechargeable batteries should only be charged under adult supervision.
- * Always remove the rechargeable batteries from the battery box before charging.
- * Do not mix different types of batteries or old and new batteries.
- * Please remove exhausted batteries in time.
- * Do not short-circuit the terminals.
- * Never short circuit the batteries, disassemble them or throw them into fire.
- * Always remove batteries if the tank is not to be operated for long time.
- * The tank use 9.6V 500mAh battery pack or "AA" X8 batteries (not included); Transmitter use "AA" X3 batteries (not included)
- * Do not operate on the road or in crowded environment to avoid danger.
- * Do not aim at people to avoid danger.
- * Avoid ponding area and strong sunshine as they may cause electrical failure and affect control distance.
- * It is recommended to operate on flat and smooth surface for longer lifetime.
- * Please recharge the batteries or change the batteries in time if the speed is getting slower.
- * Please save this instruction manual for future reference.

1. Main parameters

Frequency : 27MHz/40MHz

Control distance: about 25m

BB bullets shooting range: about 10m

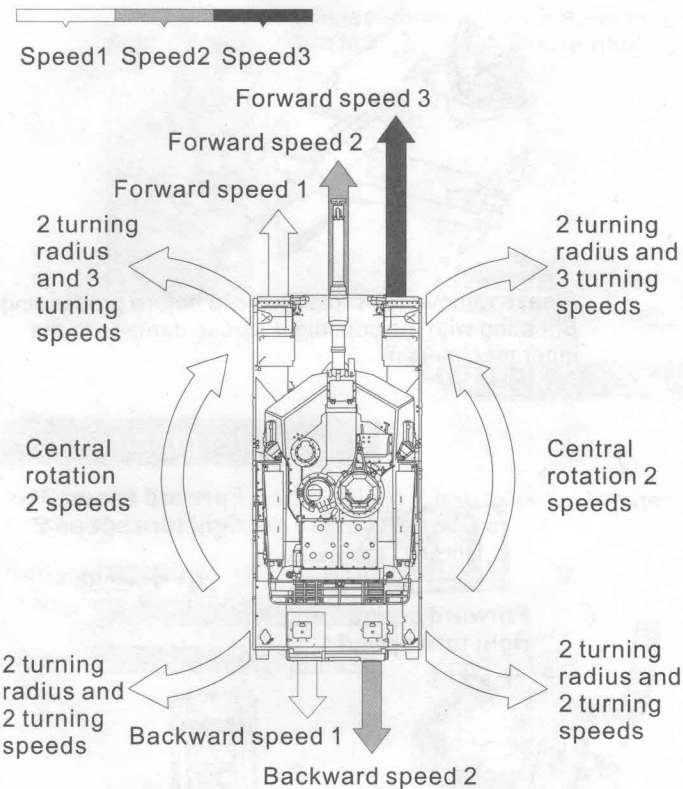
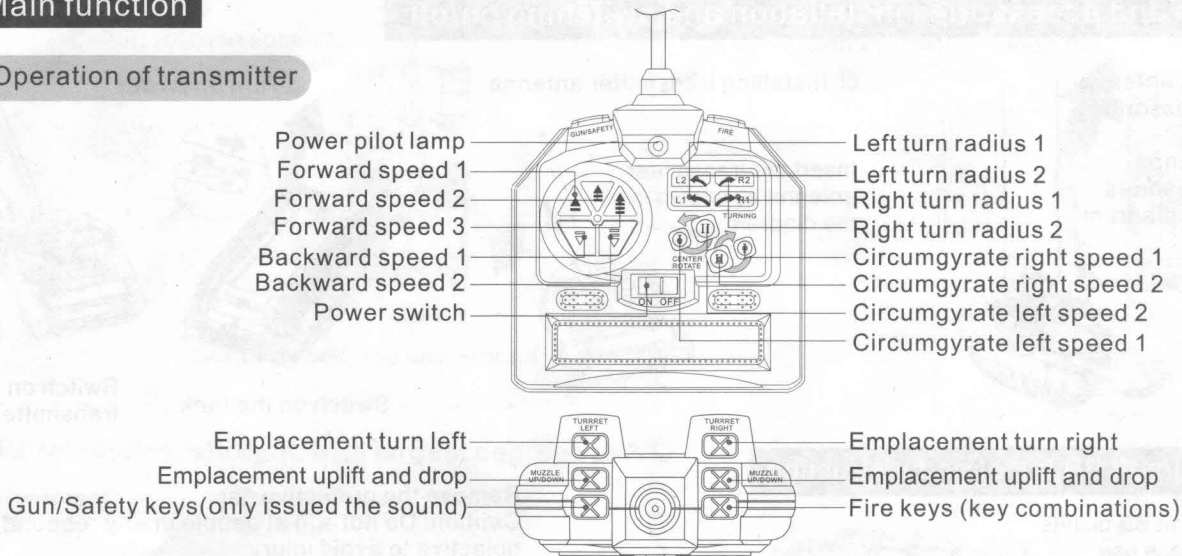
Type of batteries:

Tank: 9.6V 500mAh battery pack/ "AA" X8 (not included)

Transmitter: "AA" X3 (not included)

2. Main function

(1) Operation of transmitter

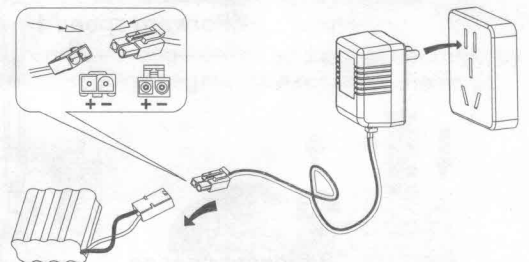


3. How to recharge the battery

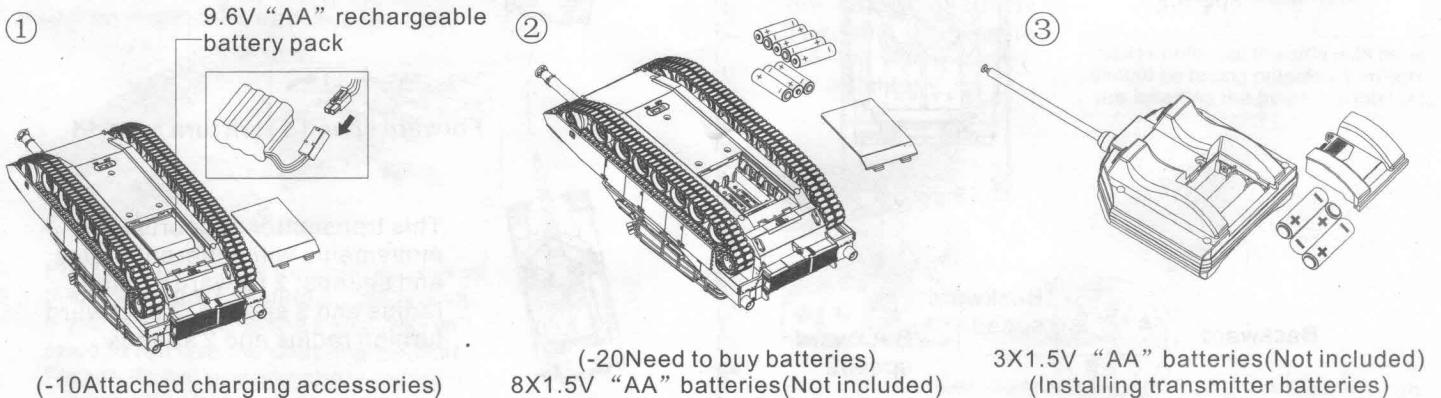
Please connect the rechargeable batteries and the charger correctly as shown in the diagram, and then plug the charger. If the indicator lights up, the battery is charging and it takes about 2 hours. When the surface of the battery gets warm and the indicator is darkened or off, charging is finished. Don't charge the battery overtime as it may cause damage to the battery or injury to people.

Caution:

1. Make sure the voltage of the charger conforms to the local voltage standard.
2. Never charge battery unattended. Keep the battery away from flammable material.
4. Do not overcharge the battery and stop charging immediately when the battery is overheated.
5. Increase charging time after several rounds of charging.
6. Stop using the battery if abnormal smell is noticed or the battery is overheated, distorted or discolored during flight or charging.



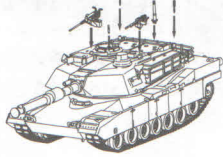
4. The installation of battery



5. Antennas and accessories installation and switching on/off

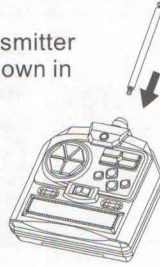
① Installing tank antenna and other accessories

Insert the antenna and other accessories as shown in the diagram

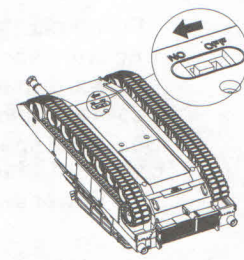


② Installing transmitter antenna

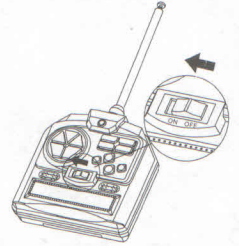
Insert the transmitter antenna as shown in the diagram



③ Turn on power



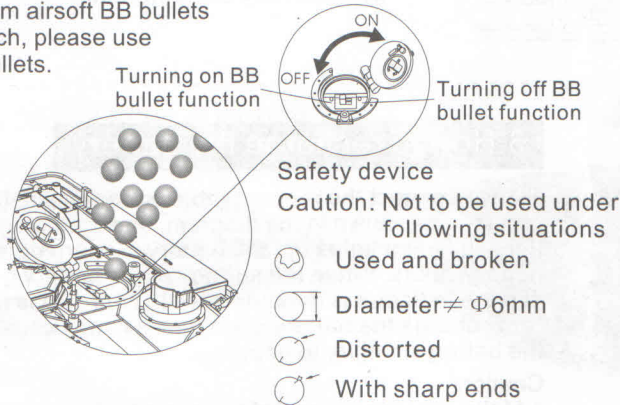
Switch on the tank



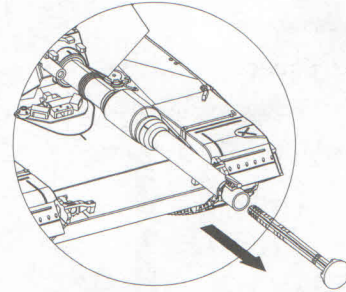
Switch on the transmitter

6. Installing airsoft BB bullet and instruction

Insert $\Phi 6\text{mm}$ airsoft BB bullets into the hatch, please use attached bullets.

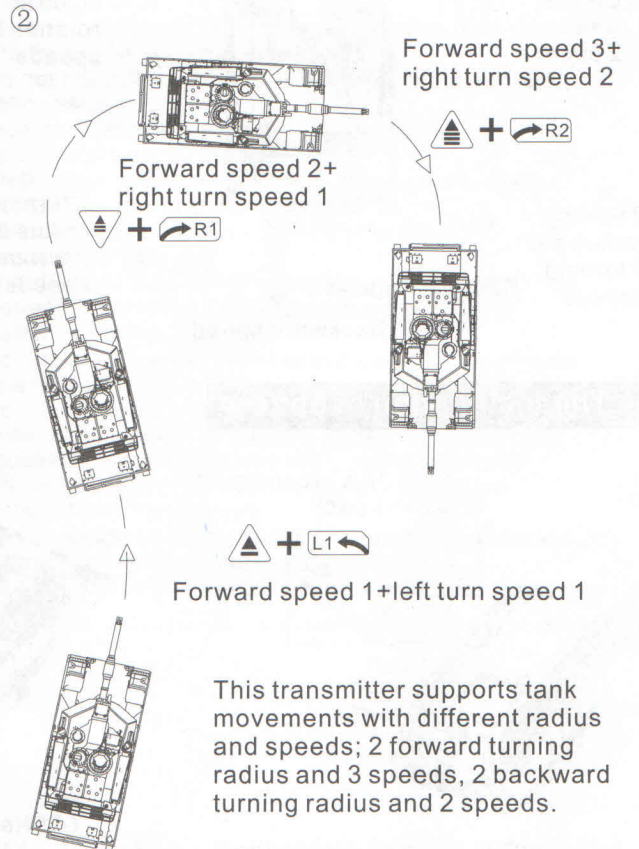
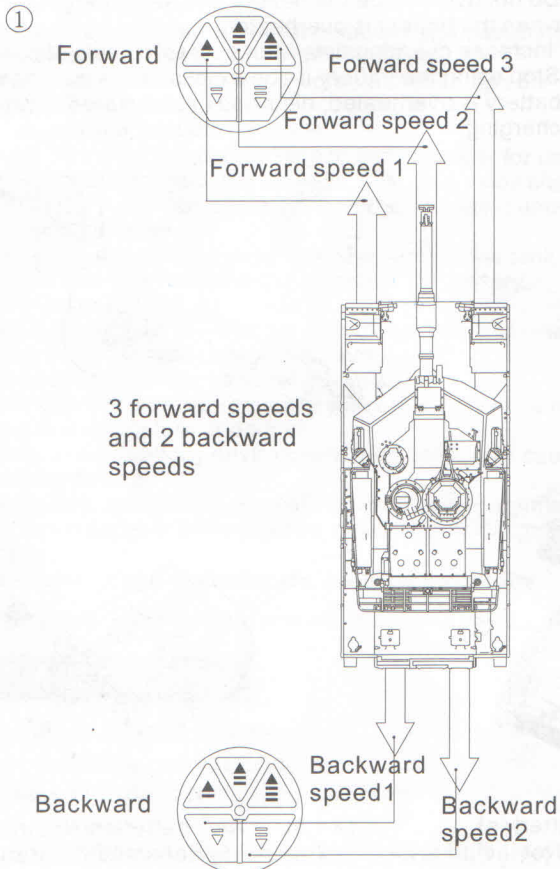


Remove the protective cap
Caution: Do not aim at people or any rebound objective to avoid injury.



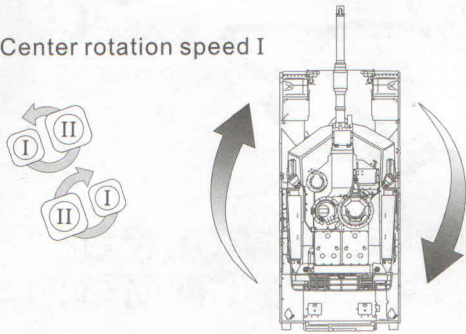
Please remove the protective cap before proceeding. Shooting with the cap might cause damage to the inner mechanism.

7. As shown in diagram



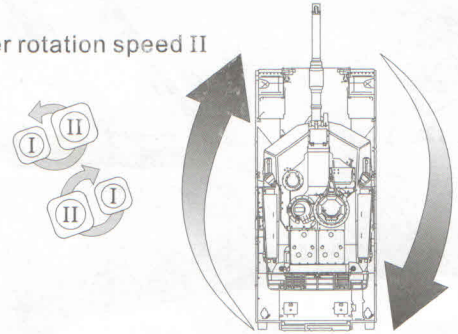
③

Center rotation speed I



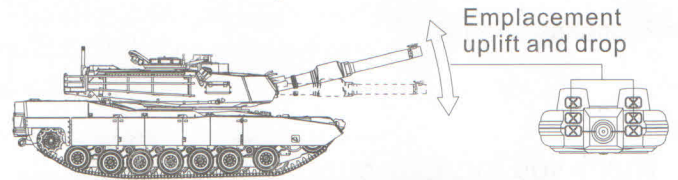
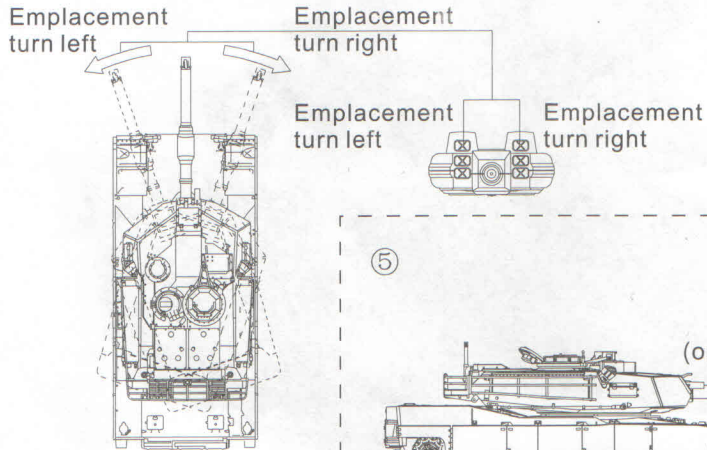
Center-rotate and turn around

Center rotation speed II

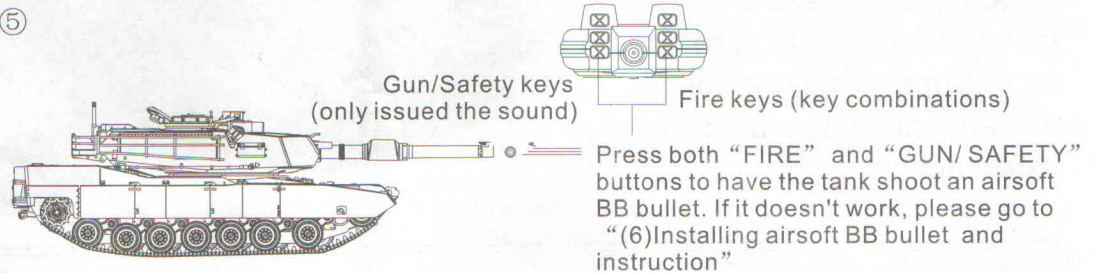


Faster center rotation

④ Turret rotates left/right, with largest degrees of 300



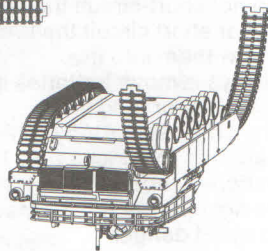
⑤



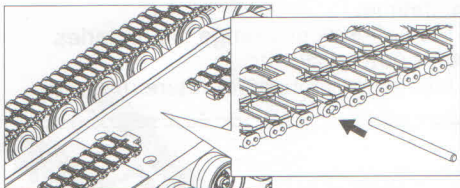
8.Changing the treads

In the event that the treads get loose, any forced movement may affect the function of the tank. Please reassemble the treads according to the diagram below correctly.

Soft plastic tread



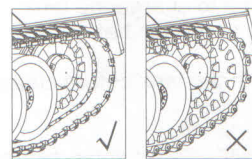
First, please combine both treads into a longer tread, and then insert the tread into the tank.



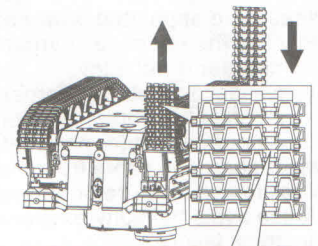
Pull two ends of the tread together and then insert the coupling pin as shown. If you are removing the tread, you will need to remove the coupling pin first. Please do not use any sharp tool to remove the pin.

Hard plastic tread

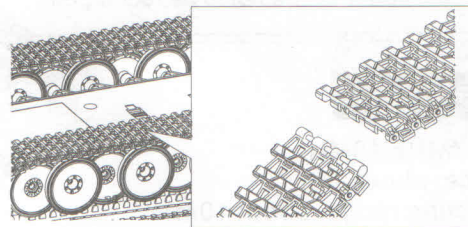
Hard plastic treads are segmented and are assembled by hand. Please connect all segments except for the ends



Please be careful with the teeth of the treads. They should be inside the rear wheel and not outside.



Please note that the side with holes should be facing outside when you are inserting the tread into the tank.



Clip both ends of the tread together and the tank will run well. Check for any loose connections before playing.