

INSTRUCTION MANUAL

DPG-010 DIGITAL PITCH GAUGE

SKYRC

The digital pitch gauge is designed for application in model helicopters and serves to measure the rotor blade pitch value.

The built in digital gyroscopic sensor is capable of detecting pitch angle, with result displayed through LCD screen, providing a simple and precise way of measuring pitch angle.

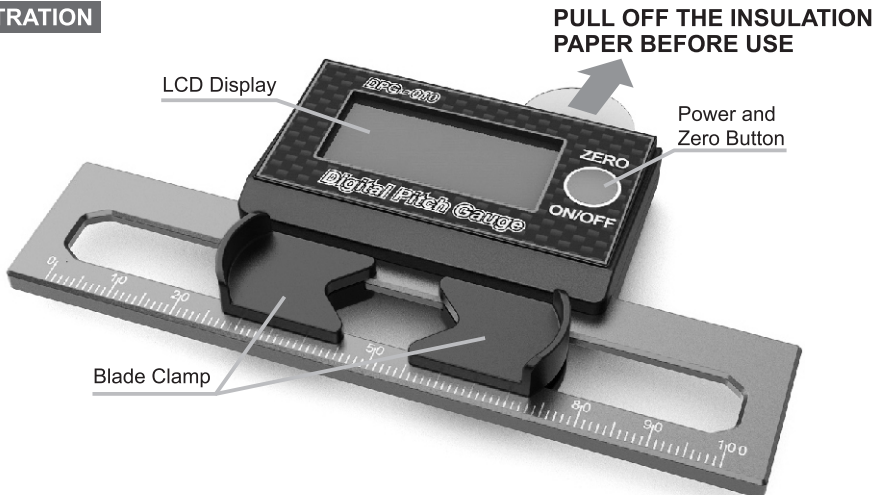
FEATURES

- Large LCD for easy reading
- Up to 700 mm blades (Suitable for 250 to 700 size helicopters)
- Fast and accurate measurement
- Zero function
- Auto rotating display
- Auto power-off (Power shuts down after 20 minutes without any movement)

SPECIFICATIONS

- | | | | |
|--------------------------|-------------|------------------------------|-------------------|
| ● Body Dimension | 113x56x14mm | ● Resolution | 0.1° |
| ● Suitable blade width | 20mm~75mm | ● Current consumption | 2.8mA |
| ● Detectable pitch range | ±90° | ● Battery | CR2032 Lithium X2 |
| ● Temperature | 0~40°C | ● Weight (including battery) | 40g |

ILLUSTRATION



HOW TO USE

Press "POWER" button for about two seconds to turn on the power. For correct pitch measurements, DPG-010 digital pitch gauge must be zeroed before being used. Press "ZERO" button once to zero the gauge. Please refer to the below instruction to understand how to use DPG-010. After used, Press "POWER" button for about two seconds to turn off.



ZERO THE GAUGE

Place the DPG-010 horizontally leveled with top of helicopter frames. Press "ZERO" to zero the gauge.



MEASURE THE PITCH

Mount the DPG-010 on main blade to measure the pitch.

HOW TO CHANGE BATTERIES

Low battery could contribute to reduced screen brightness and abnormal startup. Please replace battery should this occurs.

1. Open the battery compartment by removing the four screws at the back of the pitch gauge with a philips-head screw driver.
2. Remove the battery compartment cover.
3. Insert / replace two CR2032 batteries while observing the correct polarity.
4. Close the battery compartment and fasten it with the four screws.

Should the pitch gauge display abnormal behavior after accidental shock or impact, proceed to remove and re-install battery to reset the device.



Manufactured by
SKYRC TECHNOLOGY CO., LTD.
www.skyrc.com