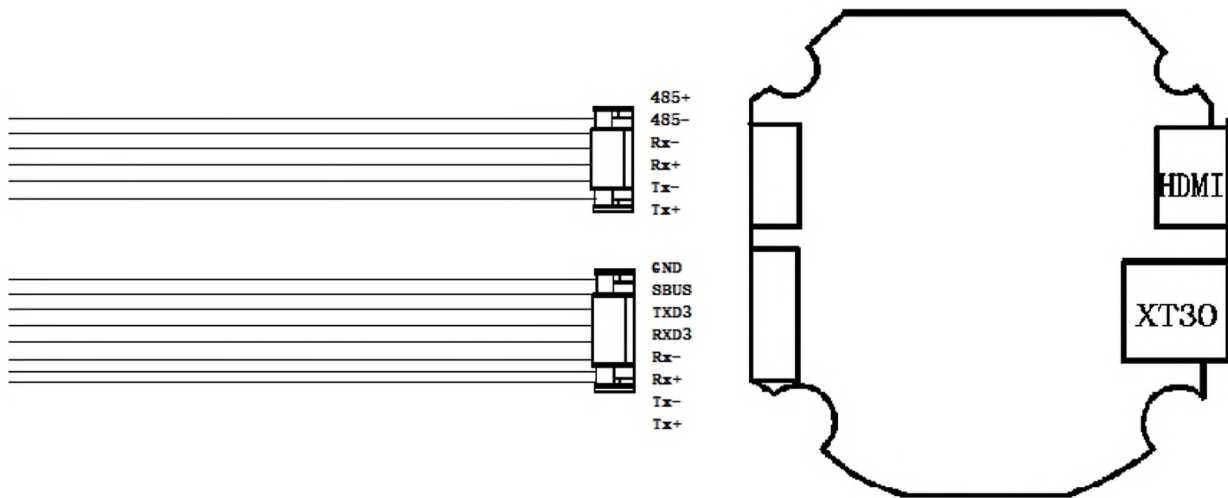


KHY10S90 10x IRCUT dual output single E0 gimbal



Voltage		3S or 6S
Power Supply		Dynamic 5W
Gimbal Feature	Roll Angle	-45~+45°
	Pitch Angle	-45~+120°
	Yaw Angle	-280~+280°
	Pitch and Roll Jitter Angle	±0.02°
	Horizontal Jitter Angle	±0.03°
	One-Click Restore	One-click restore to the initial position
	Adjustable Gimbal Speed	Low speed at big zoom status and fast speed control at small zoom status. Adaptively speed control based on zooming of daylight sensor.
Visible light Camera Para	CMOS Size	1/2.8 inch 2 mega pixels wide dynamic CMOS SENSOR
	Optical Zoom	10x HD optical zoom lens, f=5.15 ± 5%~47.38 ± 5%mm
	AF Time	Real time fast focusing, focusing time < 1s
	Video Output	RTSP stream IP network output, 1080P video stream local TF card storage
	Local Record	Local TF record, H.264/H265, 1080P video stream
	Field Angle (FOV)	D : WIDE 69.5° ± 5% TELE 7.95° ± 5% H : WIDE 61.5° ± 5% TELE 7.00° ± 5% V : WIDE 35.0° ± 5% TELE 3.97° ± 5%
	Support Mode	1080P 30fps
Device Size		80mm×112mm×130mm
Work Condition		-10℃ to +45℃ / 20% to 80% RH
Storage Condition		-20℃ to +60℃ / 20% to 95% RH
Mainly usage		for UAV aerial photography
Weight (Not including dampers)		396±10g

Electrical interface

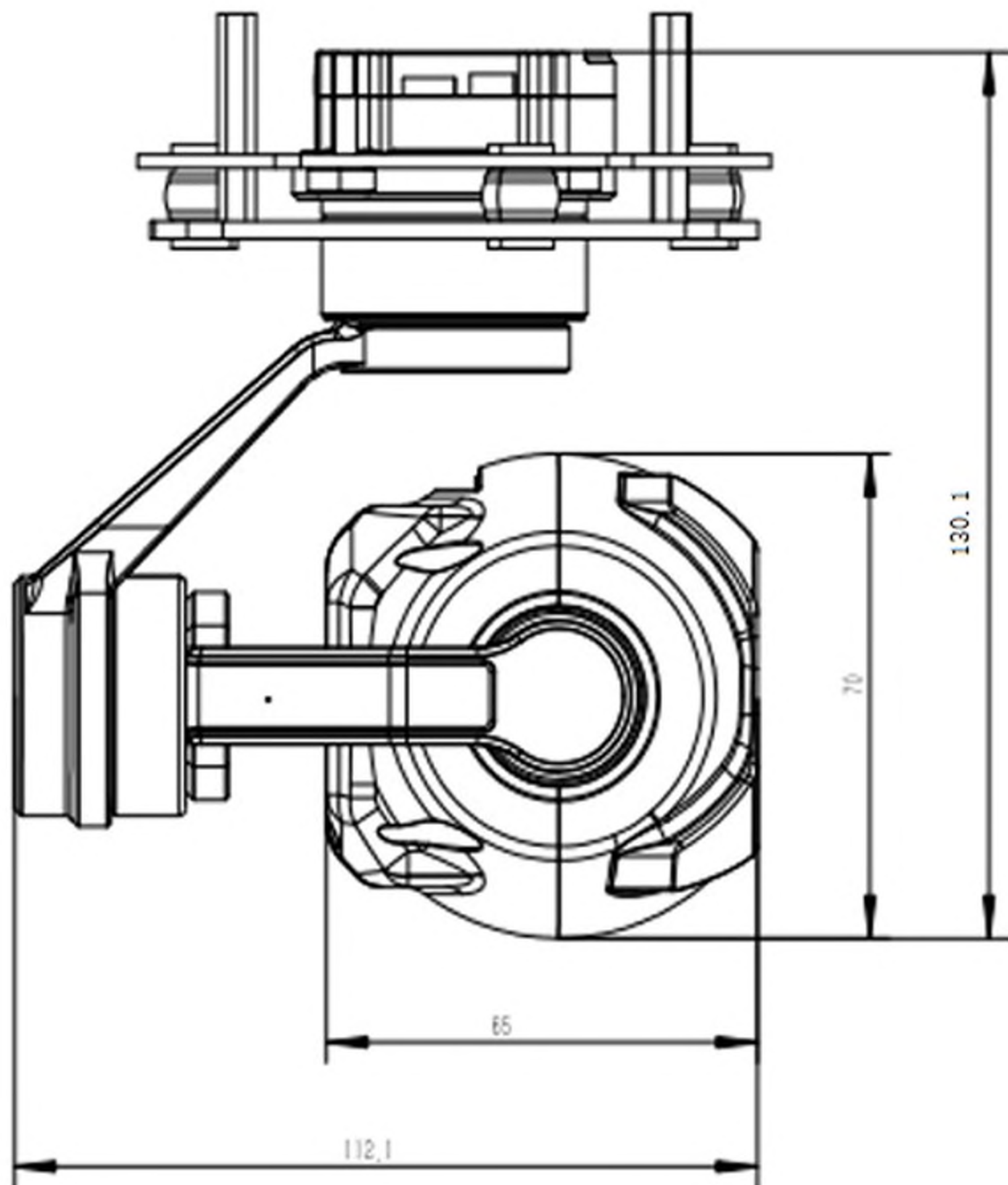


No.	Name	Interface Type	Interface definition	Function
1	6PIN	communication interface	485+	485 Interface
2		communication interface	485-	485 Interface
3		communication interface	Rx-	Network interface
4		communication interface	Rx+	Network interface
5		communication interface	Tx-	Network interface
6		communication interface	Tx+	Network interface

No.	Name	Interface Type	Interface definition	Function
1	8PIN	communication interface	GND	GND
2		communication interface	SBUS	SBUS input
3		communication interface	TXD3	Serial port sending
4		communication interface	RXD3	Serial port receiving
5		communication interface	Rx-	Network interface
6		communication interface	Rx+	Network interface
7		communication interface	Tx-	Network interface
8		communication interface	Tx+	Network interface

Model	Interface Type	Function	Remark
Mini-USB	USB	Parameter adjustment interface	
TF card interface	Reserved port	Storage and upgrade	TF card interface is on the sphere

*Due to the product upgrade, the appearance / size / weight / power consumption may change slightly. Please contact the sales department for the latest data. Thank you for your understanding.



Unit: mm

